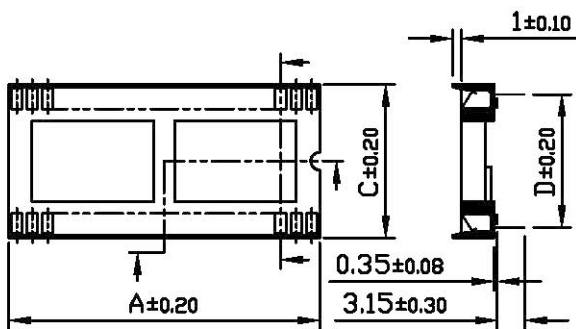
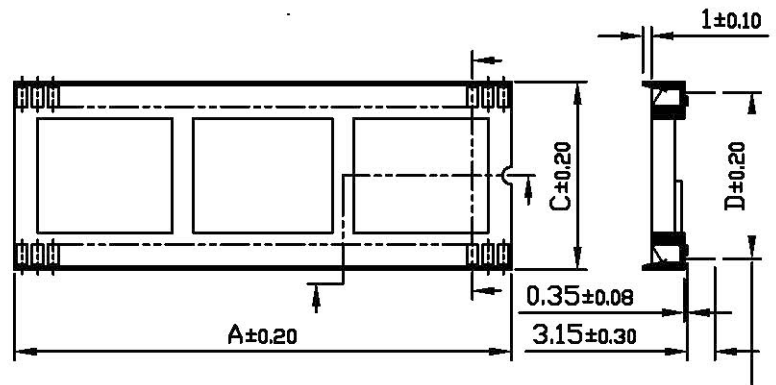


PN: 2122-xxBE

CKT	A±0.20	B±0.20	C±0.20	D±0.20
40	35.56	33.78	17.70	15.24
42	37.34	35.56		
48	42.67	40.89		
52	46.23	44.45		
54	48.01	46.23		
56	49.78	48.01		
58	51.56	49.78		
60	53.34	51.56		
62	55.12	53.34		
64	56.90	55.12		

PN: 2122-xxDE

CKT	A±0.20	B±0.20	C±0.20	D±0.20
64	56.90	55.12	21.55	19.05



**MATERIAL:**

Contact:

phosphor Bronze thickness 0.17mm

Contact Plating: Sn-Cu plated 120u"~200u"

Insulator: PBT-4830 , UL 94V-0

**SPECIFICATIONS:**

Current Rating : 1A

Dielectric withstanding Voltage : 1000v RMS/minute

Insulator resistance : 5000 Megohms min.

Contact resistance : 20 milliohms initial

30 milliohms after test.

Operating temperatures : -55°C to 85°C

Insertion force : 340g (12 oz) max.per contact.

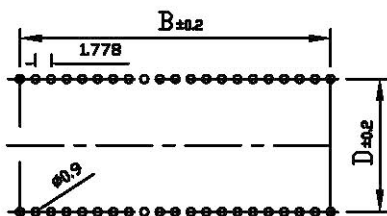
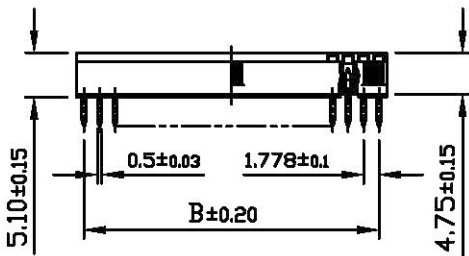
Withdrawal force : 80g (2.82 oz) min.per contact

**ORDER INFORMATION**

2122-XX X E

CKT SIZE  
40,42,48,52,54,  
56,58,60,62,64

DIP SPACING  
B: 15.24mm/.60inch HAVE ONE BAR  
D: 19.05mm/.75inch HAVE TWO BAR



PCB LAYOUT

DO NOT SCALE PRINT		易昕企業有限公司 LEAMAX ENTERPRISE CO.,LTD.
APP Chen 23-09-15	TOLERANCE:	
CHK Huang 01-09-15	.X ±0.15	IC SOCKET 1.778mm RoHS
DRW Kelly 06-10-04	.XX ±0.3	DWG NO. 2122-002
UNIT: MM	SCALE: 1/1	SHEET: 1 OF 1
		REV. 01