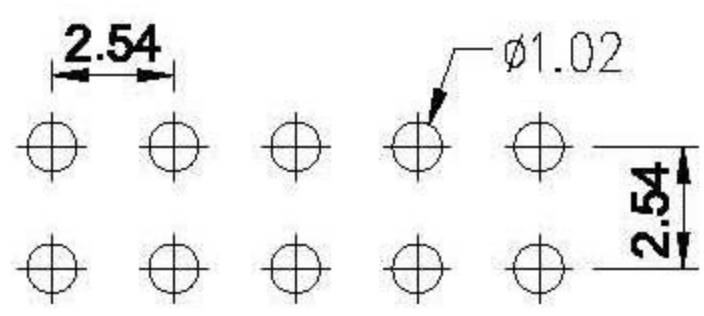
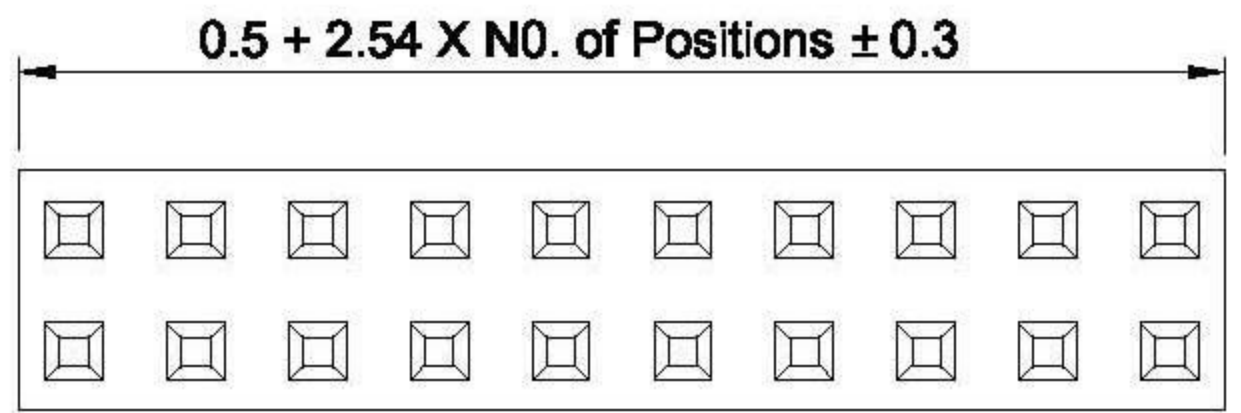


9	10	11	12
Rev	Modification	Date	Validate

RoHS

Specifications
Current Rating : 3 Amps
Insulator Resistance : 1000 Megohms min.
Contact Resistance : 20 m ohms max.
Dielectric Withstanding : AC 600V
Operating Temperature : -40°C ~ +105°C
Contact Material : Phosphor Bronze
Insulator Material : Polyester, UL 94V-0 P.B.T.
Contact Plated : See Option
Standard: Full Gold Flash

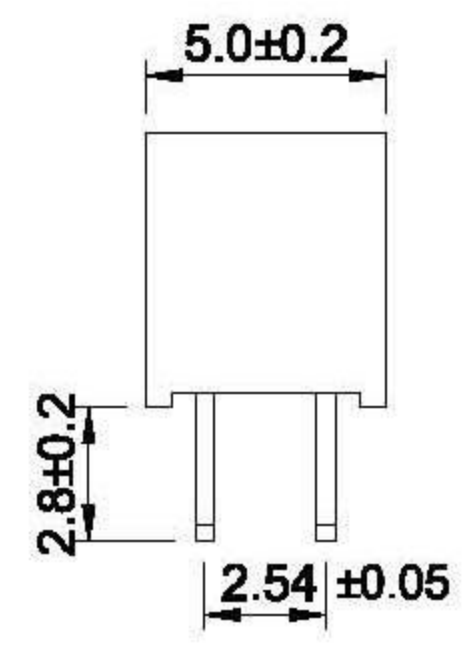
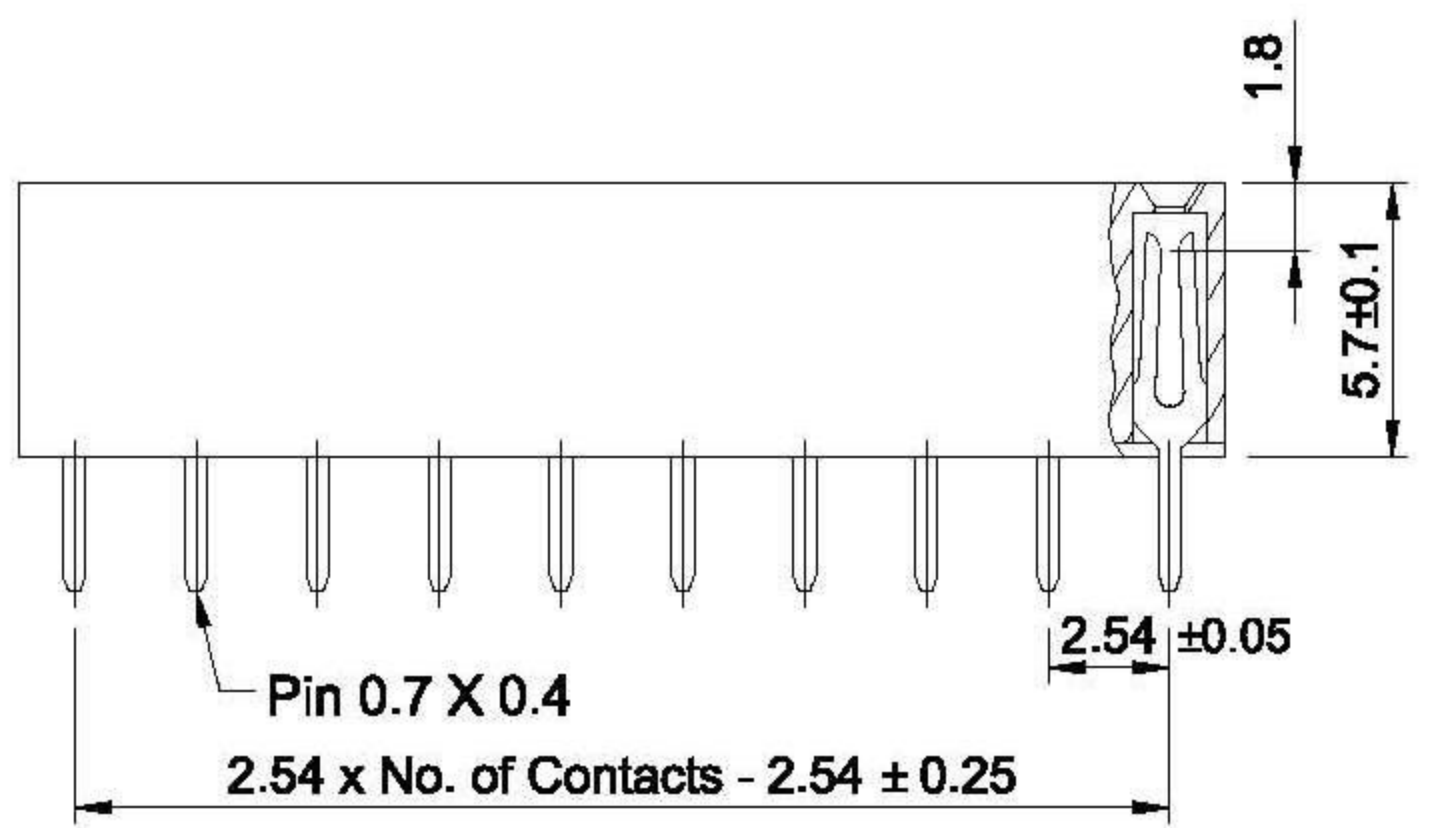
Recommended P.C. Board Hole Layout



Order Information

2160 A2 - S 2 XX - 00 XX - X

Serial No. _____
Terminal Type _____
S : Straight Type
Row Type _____
2 : Dual Row
No. of Contact Per Row _____
Contact Plated _____
Insulator Material _____
Blank : P.B.T.
N: Nylon-6T



Contact Plating Option	Full Gold Plating	Gold Plating On Contact Area Tin Plating On Solder Area	Full Tin Plating
	GA : Gold Flash GC : Gold 10u" GD : Gold 15u" GE : Gold 30u"	SA : Gold Flash SC : Gold 10u" SD : Gold 15u" SE : Gold 30u"	TA : Tin 100u"

GENERAL TOLERANCE		單位 (UNIT)	料號 (PART NO.)		圖號 (DWG NO.)		易昕企業有限公司 LEAMAX ENTERPRISE CO., LTD 名稱 (TITLE): Female Header P:2.54 x 2.54 mm Profile : 5.7mm, Straight Type ,Dual Row
X. ± 0.50	X. ° ± 5°	mm	2160A2-S2XX-00XX-X		2160A2-S2XX		
.X ± 0.20	.X ° ± 2°	審核 (APPROVAL) James 2011/10/06	核對 (CHECKED) Mary	製圖 (DRAWN) Fen-Fen	比例 SCALE 3:1	張數 SHEET 1/1	
.XX ± 0.10	.XX ° ± 1°						
DATE:2008/03/05	SCM1			角法 PROJ.	更改 REV.	A	