

ORDER CODE :

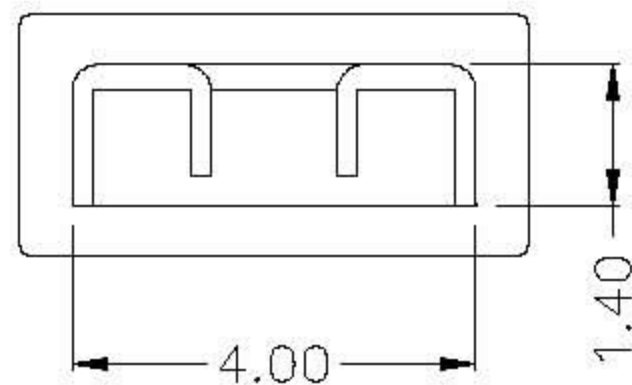
2180 X X X E
 DIMENSIONS: D:13.5mm
 RoHS

TYPE:
 A=CLOSE
 (close type only)

COLOR
 A: BLACK G: BLUE
 B: BROWN H: PURPLE
 C: RED I: GREY
 D: ORANGE J: WHITE
 E: YELLOW K: PINK
 F: GREEN

NOTES

- 1.MATERIAL
 - 1.1 Insulator: NYLON 66
- 2.SPECIFICATION
 - 2.1 Current Rating: 3 Amp
 - 2.2 DIELECTRIC WITHSTANDING : AC 500V/min R.M.S.
 - 2.3 Insulator Resistance: 1000M ohms Min
 - 2.4 Contact Resistance: 20m ohms Max
 - 2.5 Operation Temperature: -45°C to +105°C
 ACCORD MOLEX ROHS STANDARD!



DIMENSIONS TOLERANCE

METRIC
 .0= ±.20
 .00= ±.10
 .000= ±.XXX
 .0000=±
 ANG.=± 2°

單位(UNITS)	mm
數量(QT'Y)	N/A
材料(MT'L)	SEE NOTE
處理(FINISH)	SEE NOTE
繪圖(DRAW)	
設計(DE'N)	
審校(CH'K)	Stella 2011.10.05
核准(APP'D)	James 2011.10.05

易昕企業有限公司 LEAMAX ENTERPRISE CO., LED.			
		Dw No: 2180-006 MINI JUMPER 2.54mm CLOSE H:13.5mm	
料號(PART NUMBER)		2180DAXE	
比例(SCALE)	1/1	圖紙(SIZE)	A4
頁次(SHEET)	1	版次(REV.)	P