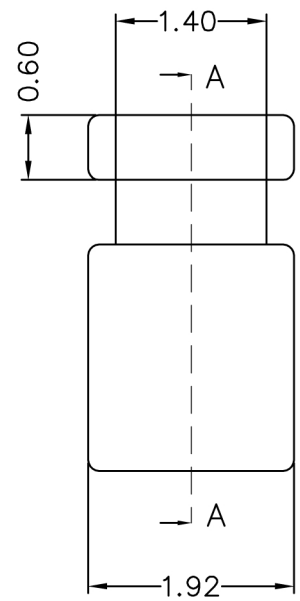
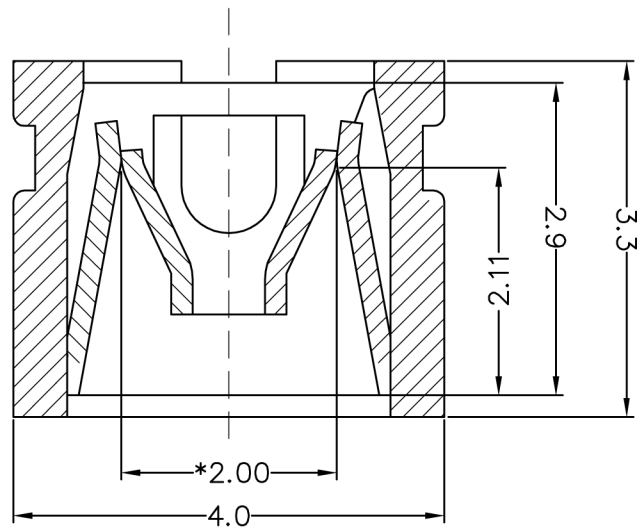


REV.	NOTES	DATE
A	RELEASED	2012/12/13



### ORDER CODE

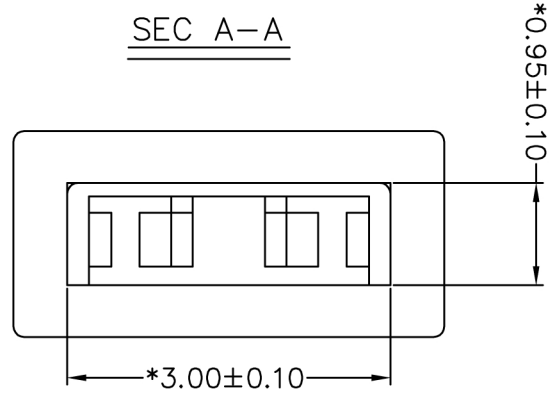
**2181** X X X **E**

**DIMENSION**  
B:3.5mm

**TYPE**  
A: OPEN

**COLOR**  
A: BLACK

RoHS



### NOTES

- MATERIAL
    - Insulator: P.B.T. +15% G.F. UL94V-0
    - Contact: Phosphor Bronze
  - SPECIFICATION
    - Current Rating: 3Amp Max
    - Dielectric Withstanding: AC 500V min.Per minute
    - Insulation Resistance: 1000M ohms At DC 500V
    - Contact Resistance: 20m ohms Max
    - Contact Insertion Force: 0.5kg max
    - Contact Withdraw force: 0.1kg min
    - Operating Temperature: -45°C To +105°C
- "\*"標示是重點管控尺寸

單位(UNITS)	mm
數量(QTY)	N/A
材料(MTL)	SEE NOTE
處理(FINISH)	SEE NOTE



易昕企業有限公司  
**LEAMAX ENTERPRISE CO.,LED**

DIMENSIONS TOLERANCE <b>METRIC</b> .0= ± .38 .00= ± .25 .000= ± .XXX .0000= ± ANG.= ± 2°	繪圖(DRAW)	<b>Zoe</b> 2013.05.06	圖名(NAME) <b>Mini Jumper 2.0mm Open Type H: 3.50mm</b>				
	設計(DE'N)		料號(PART NUMBER)		<b>2181-BAAE</b>		
	審校(CH'K)	<b>James</b> 2013.05.06	圖號(DRAW NUMBER)		<b>2181-002</b>		
	核准(APP'D)		圖檔(FILE NAME .DWG)		D:VZSBACPT		
	比例(SCALE)	1/1	圖紙(SIZE)	A4	頁次(SHEET)	1	版次(REV.)