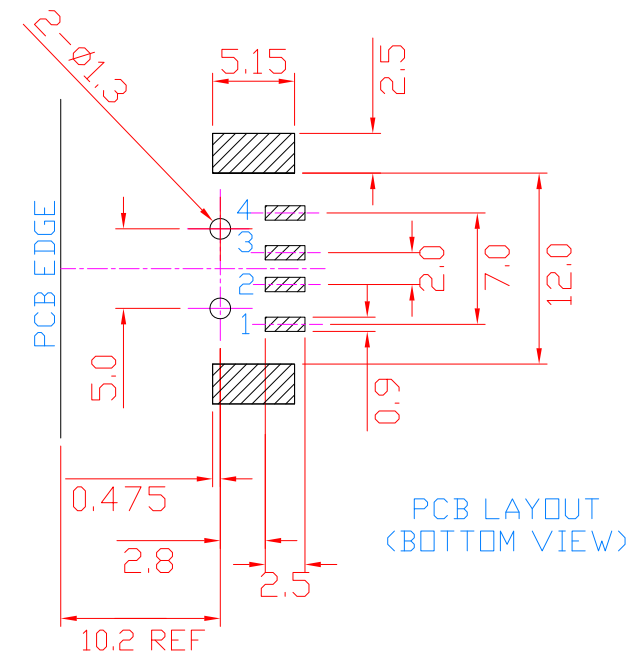
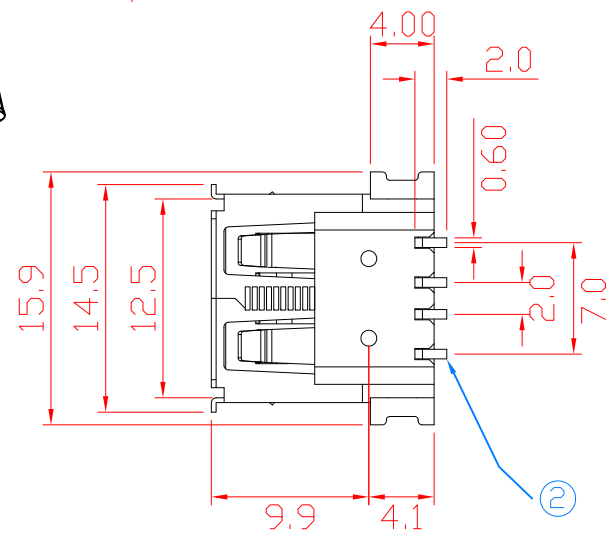
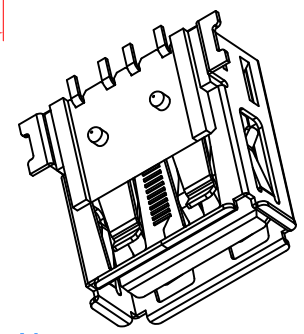
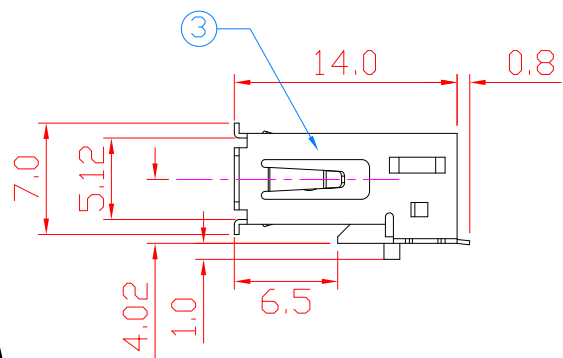
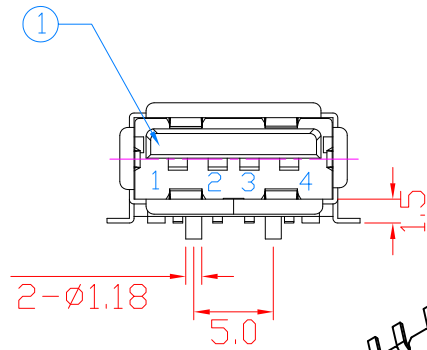


REV	ZONE	REVISION	DATE



**Specification:**  
 Contact Resistance: 30m Ohm Max.  
 Insulation Resistance: 1000M Ohm Min. At 500VDC.  
 Rated Voltage And Current: 1.5A At 250VAC Minimum.  
 Dielectric Withstanding Voltage:  
 750V AC (rms) for 1 Minute(Rev. 1.1)  
 Durability (Life Test): 1500 Cycles  
 Insertion Force: 35 Newton Maximum.  
 Extraction Force: 10 Newton Minimum.

**Green Product**

**Order Information**

3210-SMT-W2E-01Ux  
 Serial No. \_\_\_\_\_  
 RoHS \_\_\_\_\_  
 Housing Color \_\_\_\_\_  
 W: WHITE  
 B: BLACK

NO.	NAME	MATERIAL	FINISH	REMARK	QTY
1	HOUSING	NYLON PA9T G.F.	WHITE / BLACK		1
2	PIN TERM.	PHOS. BRONZE T:0.25	GOLD/TIN PLATED	Gold:1~3u"; NI:40~60u"; TIN:120u" (100% pure Tin of lead free plating)	4
3	SHELL	BRASS T:0.3	NICKEL PLATED	NI:50u" MINIMUM.	1



易昕企業有限公司  
 LEAMAX ENTERPRISE CO., LED.

Drawing No			UNIT	SCALE	TITLE	
3210-AS3			mm	1:1	USB A TYPE FLAT SMT 4 PIN SOCKET	
APPD.	CKD.	DWG.	DATE	TOLERANCE	PART NO.	REV.
JAMES 10-09-13	SHIRLEY 02-07-12	TINA 14-10-10	14-10-10	X. ±0.38 .X ±0.25 .XX ±0.13 .XXX ±0.05	3210-SMT-W2E-01Ux	A_1

MODEL 3210-SMT-W2E-01Ux PAGE 1 OF 1