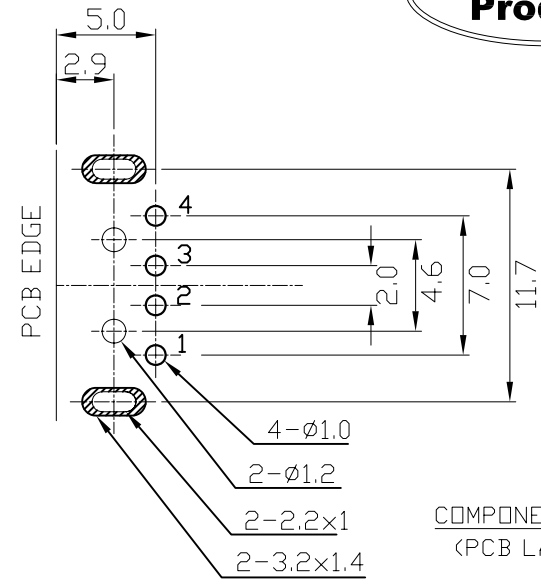
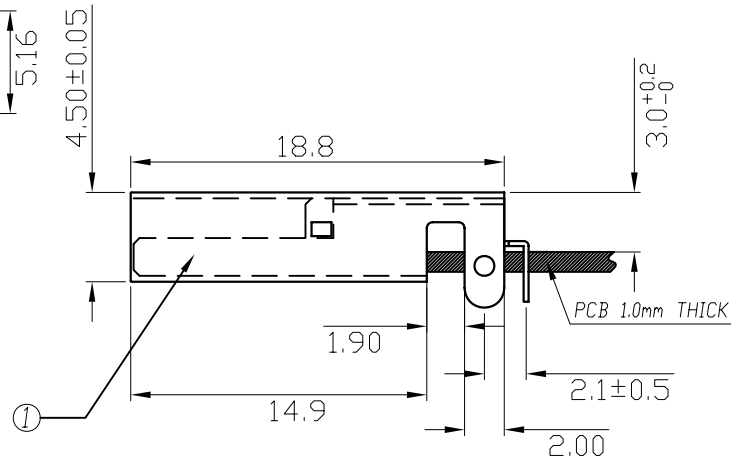
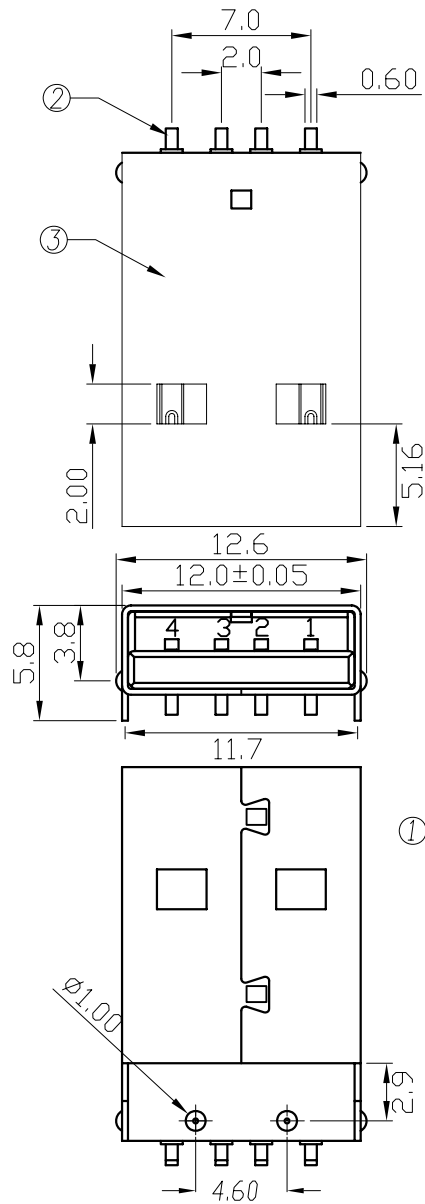


REV	ZONE	REVISION	DATE

Specification:

Contact Resistance: 30m Ohm Max.
 Insulation Resistance: 1000M Ohm Min. At 500VDC.
 Rated Voltage And Current: 1.5A At 250VAC Minimum.
 Dielectric Withstanding Voltage: 750V AC (rms) for 1 Minute(Rev. 1.1)
 Durability (Life Test): 1500 Cycles
 Insertion Force: 35 Newton Maximum.
 Extraction Force: 10 Newton Minimum.



NO.	NAME	MATERIAL	FINISH	Q'TY	REMARK
1	HOUSING	NYLON PA9T G.F.	BLACK	1	
2	TERMINAL	BRASS E-H T:0.25	GOLD/TIN PLATED	4	Gold:1~3u"; Ni:40~60u"; TIN:120u" (100% pure Tin of lead free plating)
3	SHELL	BRASS T:0.3	NICKEL PLATED	1	Ni:80~120u"



易昕企業有限公司
 LEAMAX ENTERPRISE CO., LED.

Drawing No
 3211-005

UNIT: mm
 SCALE: 1:1
 TITLE: USB A TYPE PLUG PCB FLAT 4 PIN DIP

MODEL: 3211-APDE-01UB
 PAGE 1 OF 1

APPD. JAMES 05-02-13
 CKD. SHIRLEY 05-05-13
 DWG. TINA 07-05-10

DATE: 07-05-10
 TOLERANCE:
 X. ±0.38
 .X ±0.25
 .XX ±0.13
 .XXX ±0.05

PART NO.: 3211-APDE-01UB
 REV.: A0