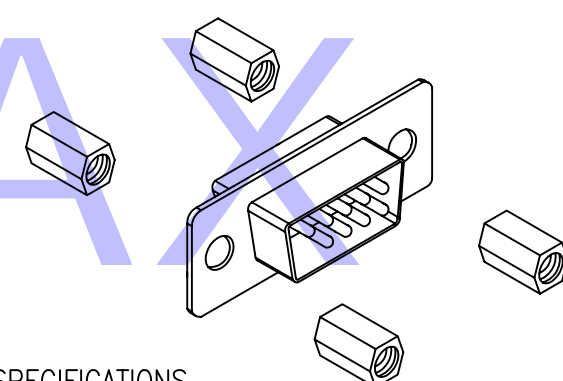


	A	B	C	D	E
Positions	±0.25 (0.010)	±0.13 (0.005)	±0.38 (0.015)	±0.25 (0.010)	±0.25 (0.010)
09	16.92	24.99	30.81	19.28	16.33
15	0.666	0.984	1.213	0.759	0.643
19	25.25	33.32	39.14	27.65	24.66
23	0.994	1.312	1.541	1.089	0.971
25	30.60	38.86	44.85	32.86	30.07
25	1.205	1.530	1.766	1.294	1.184
25	36.00	44.28	50.27	38.38	35.54
25	1.417	1.743	1.979	1.511	1.399
25	38.96	47.04	53.04	41.30	38.38
25	1.534	1.852	2.088	1.626	1.511
37	55.42	63.50	69.32	57.44	54.84
37	2.182	2.500	2.729	2.261	2.159



SPECIFICATIONS

- Insulator :PBT+30% glass fiber , UL 94V-0
- Contact : Brass or Phosphor bronze
- Current rating (Max) : 5 amp AC / DC
- Withstanding voltage : 1000 VAC
- Insulation resistance (Min.):1000M Ω
- Contact resistance (Max):30M Ω
- Operating temperature : -55°C~+105°C

易昕企業有限公司 LEAMAX ENTERPRISE CO., LED.					
PROJ		SCALE : F DO NOT SCALE DWG	MOLD NO 3220		
APP		92.11.17	MODEL	FILE NO	REV.
CHK	CCJ	89.10.25		CODE3	X1
DGN	WU	89.10.25	UNIT	SHT 1 OF 1	SIZE
DRW	SHIEH	89.10.25	MM		A4