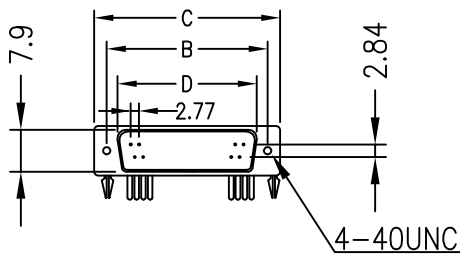
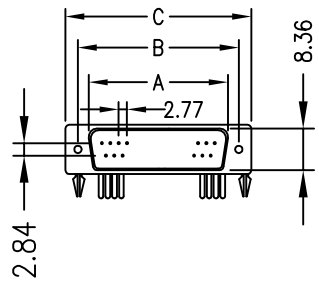


1 2 3 4 5 6 7

A

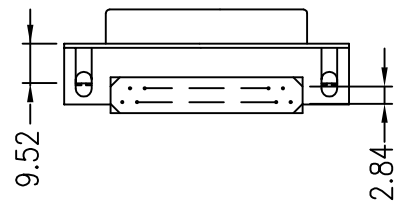
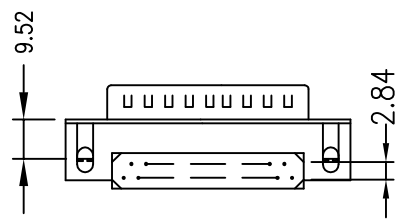


Unit: Millimeter (Inch)

Positions	A ±0.25 (0.010)	B ±0.13 (0.005)	C ±0.38 (0.015)	D ±0.25 (0.010)
09	16.92 0.666	24.99 0.984	30.81 1.213	16.33 0.643
15	25.25 0.994	33.32 1.132	39.14 1.541	24.66 0.971
19	30.60 1.205	38.86 1.530	44.85 1.766	30.07 1.184
23	36.00 1.147	44.28 1.743	50.27 1.979	35.54 1.399
25	38.96 1.534	47.04 1.852	53.04 2.088	38.38 1.511
37	55.42 2.182	63.50 2.500	69.32 2.729	54.84 2.159

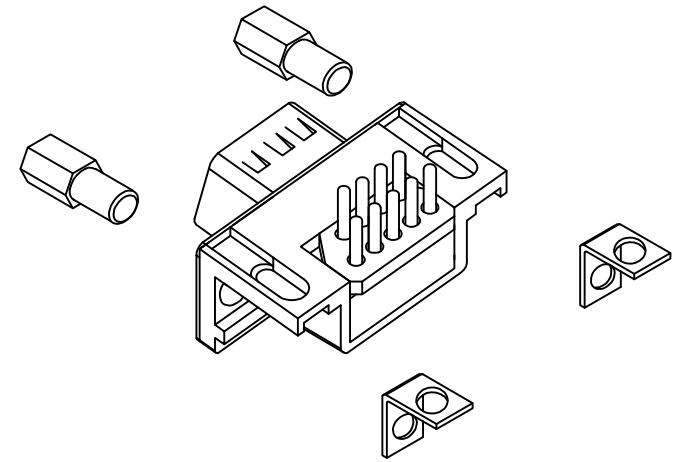
A

B



B

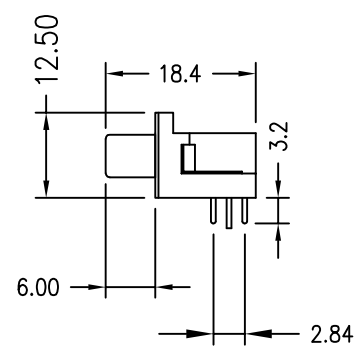
C



C

D

SPECIFICATIONS
 Shell: Steel, Tin-plated
 Insulator :PBT+30% glass fiber , UL 94V-0
 Contact : Brass or Phosphor bronze
 Current rating (Max) : 5 amp AC / DC
 Withstanding voltage : 1000 VAC
 Insulation resistance (Min.):1000MΩ
 Contact resistance (Max):30MΩ
 Operating temperature : -55°C~+105°C



D

E

BODY LEGTH

		易昕企業有限公司 LEAMAX ENTERPRISE CO., LED.		
PROJ		SCALE : F DO NOT SCALE DWG	MOLD NO	3224
APP	SHIEH	92.07.25	MODEL	FILE NO
CHK	CCJ	89.11.01	UNIT	CODE5
DGN	WU	89.11.01	MM	SHT 1 OF 1
DRW	SHIEH	89.11.01	SIZE	A4

E

1 2 3 4 5 6 7