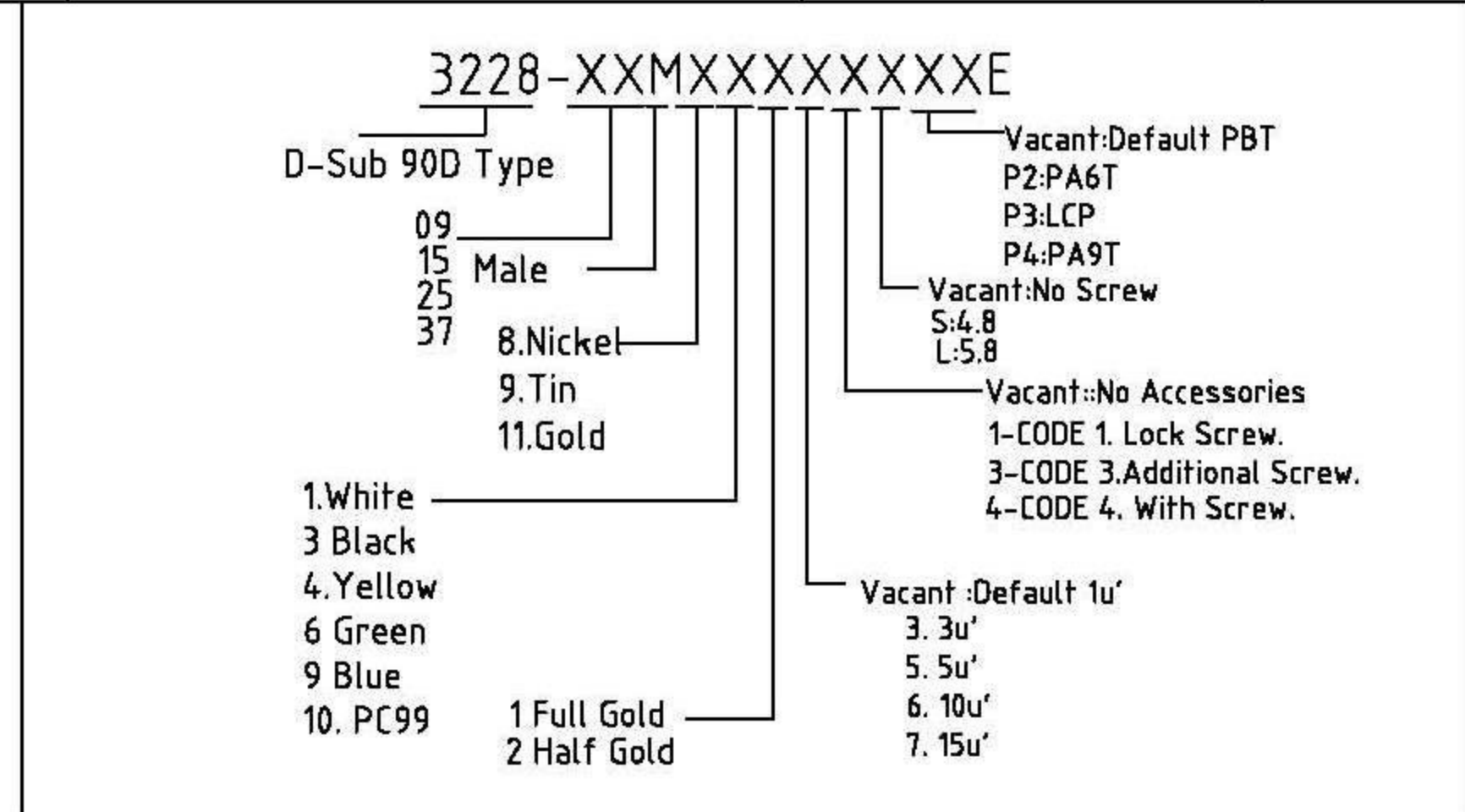
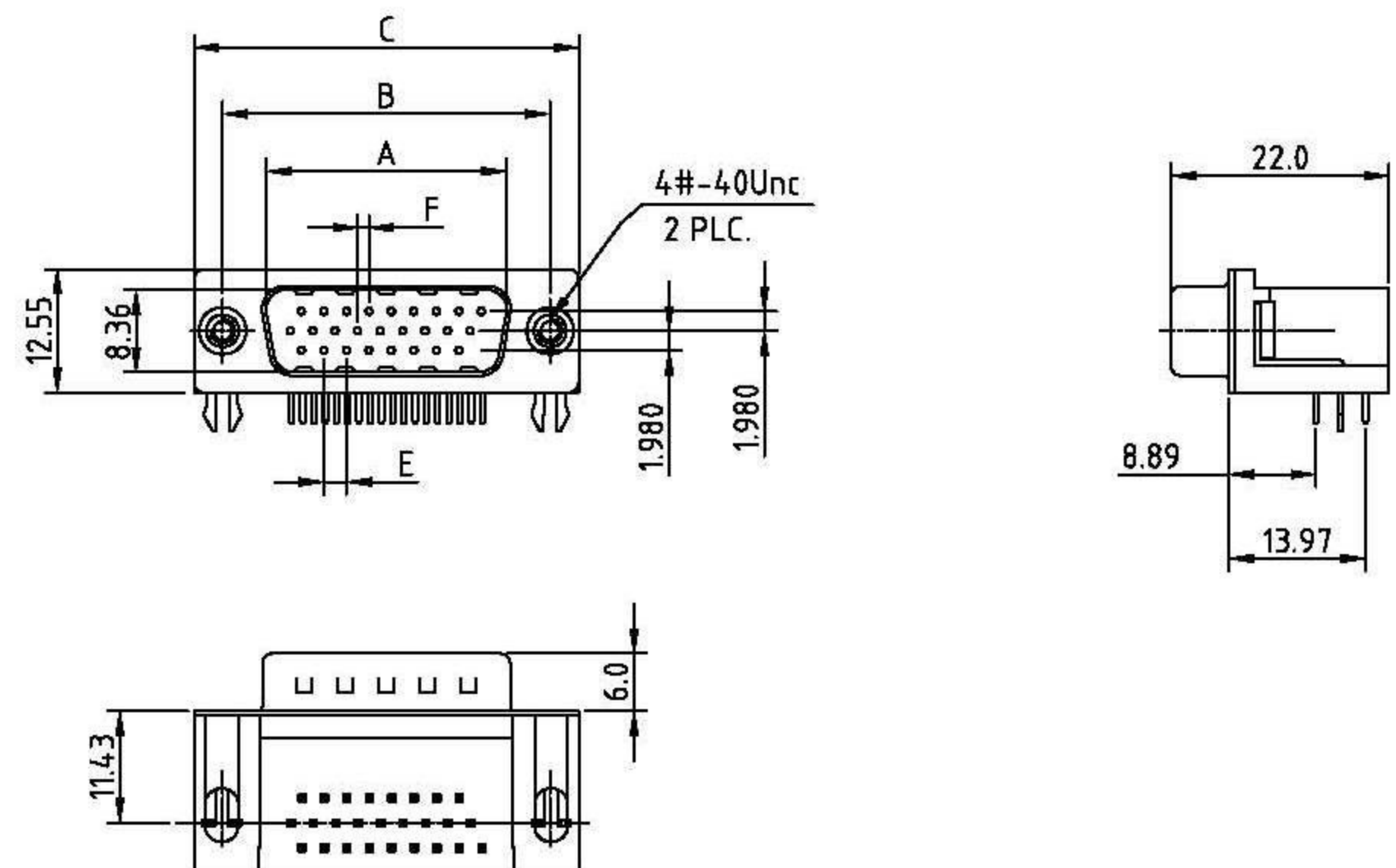


RevNo		Date	Signature	Checked



Note:

No.	A	B	C	E	F	H
15	16.92	24.99	30.81	2.29	1.145	7.04
26	25.25	33.32	39.14	2.29	1.145	6.88
44	38.96	47.04	53.04	2.29	1.145	6.88
62	55.42	63.50	69.32	2.41	1.205	7.00

**Electrical Characteristic:**

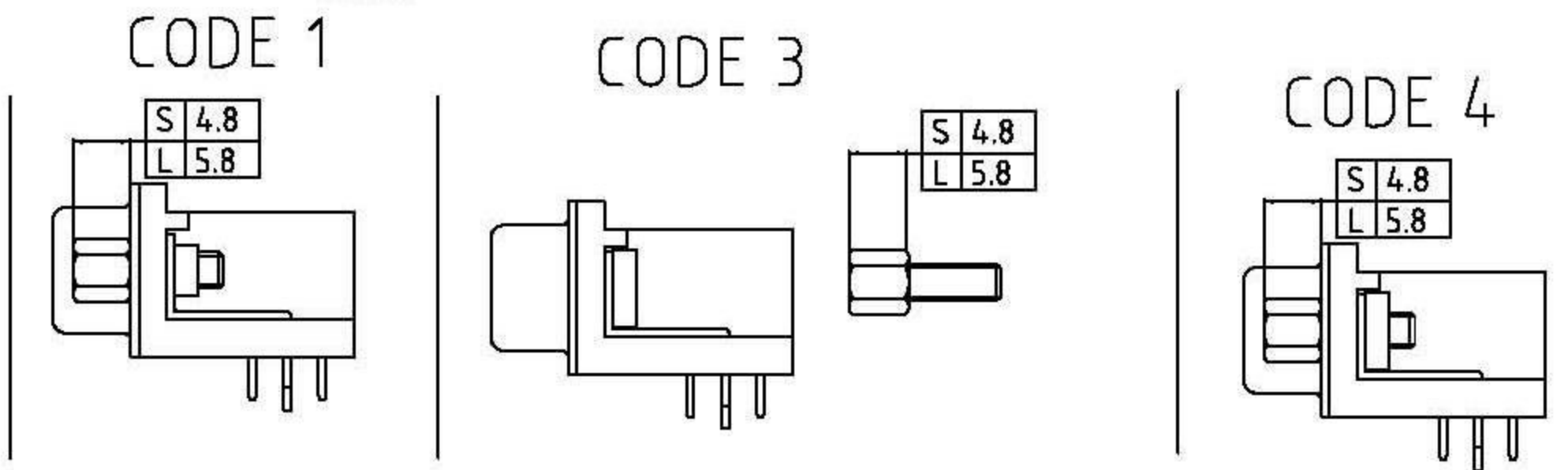
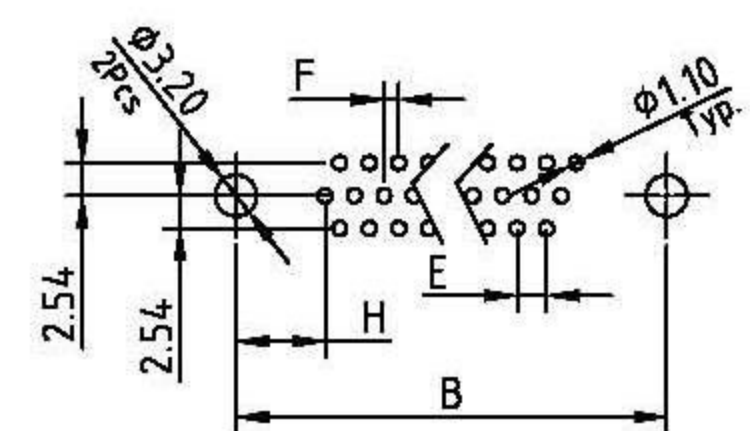
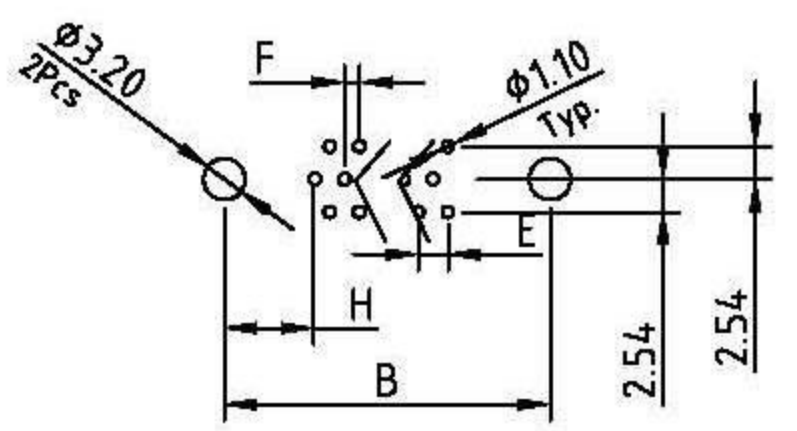
Contact Current Rating:3Amperes.  
 Dielectric Withstanding Voltage:AC 500V at sea level.  
 Insulation Resistance:1000Megohms Min.  
 Contact Resistance:25Milliohms Max.  
 Operation Temperature : -55°C to +105°C.

**Material:**

Contact :Copper Alloy.  
 Insulator:PBT. [Select PA6T /LCP /PA9T]  
 Shell: SPCC.  
 Z-Piece: Fe.  
 Screw: Copper Alloy.  
 Rivet: Copper Alloy. or Zinc.  
 RoHS

Re Layout P.C.B.  
15 POSITION

Re Layout P.C.B.  
26 /44 /62POSITION



DRAW.BY	LinHaiFong	DATE	2011.07.28	UNIT	MM	TOLERANCE	.X ±0.30 .XX ±0.25 .XXX ±0.150	Ang. ±2°
APPVL.BY	Shirley	VERSION	A	SCALE				



ITEM	D-SUB H-D Male 90D-DIP
PART No.	
Drawing NO.	3228-002