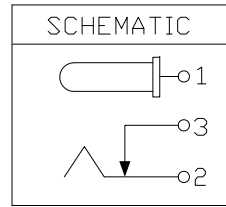
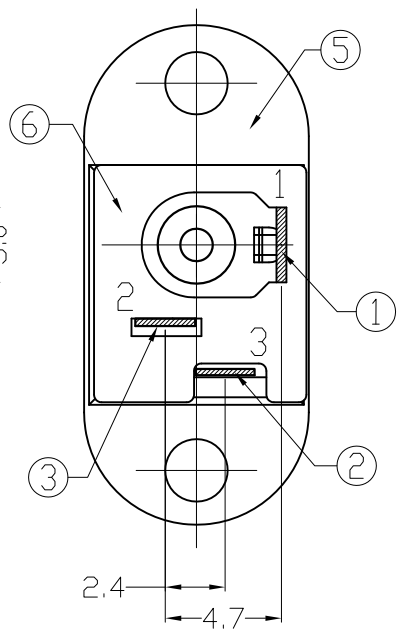
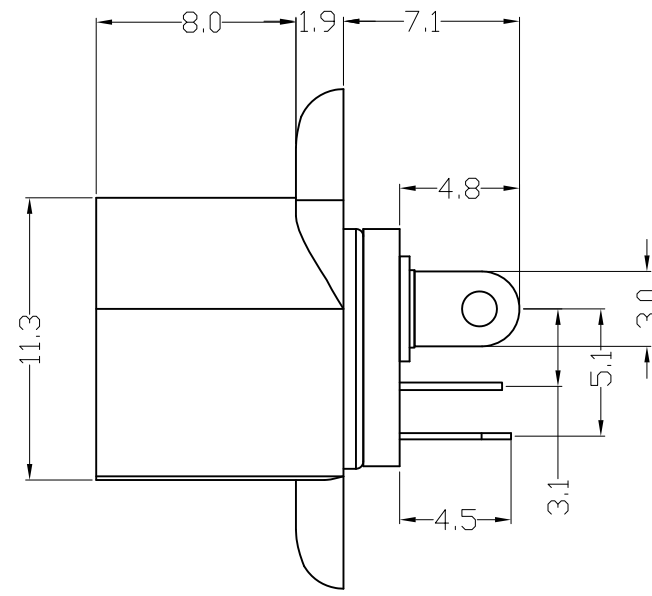
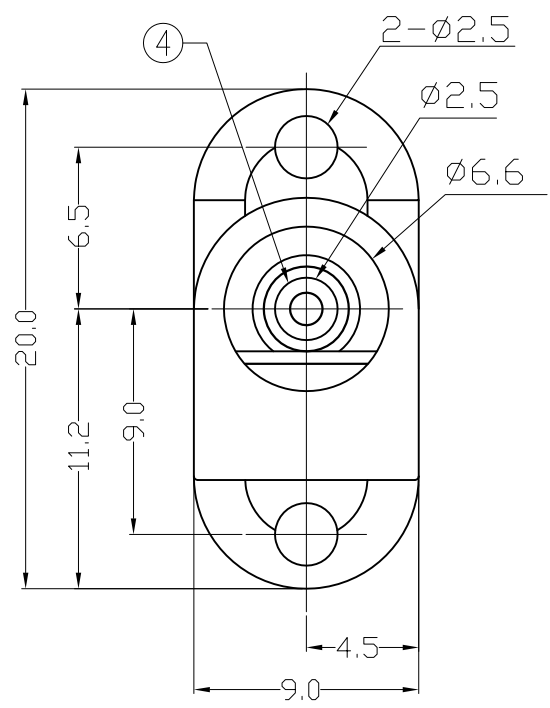


REV	ZONE	REVISION	DATE



NO.	NAME	MATERIAL	FINISH	Q'TY
1	PIN TERM.	BRASS T:0.4	TIN PLATED	1
2	SLEEVE TERM.	PHOS. BRONZE T:0.25	TIN PLATED	1
3	BREAK TERM.	BRASS T:0.4	TIN PLATED	1
4	CENTER PIN	BRASS Ø2.5	NICKEL PLATED	1
5	HOUSING	PBT G.F.	BLACK	1
6	BOTTOM COVER	BAKELITE	BROWN	1

Specification:

Contact Resistance: 30m Ohm Max. At AC 100mA Max .1KHz  
 Insulation Resistance: 100M Ohm Min. At 500V DC  
 Rated Voltage And Current: DC12V. 2A Max; AC 100V. 1A Max  
 Dielectric Withstanding Voltage: 500V AC for 1 Minute  
 Insertion Force: 3.0Kg Maximum.  
 Extraction Force: 0.3Kg Minimum.



易昕企業有限公司  
 LEAMAX ENTERPRISE CO., LED.

Drawing No			UNIT	SCALE	TITLE	
3279-002			mm	1:1	DC POWER JACK	
APPD.	CKD.	DWG.	DATE	TOLERANCE	PART NO.	REV.
JAMES 03-11-15	SHIRLEY 02-11-15	TINA 01-06-10	01-06-10	X. ±0.38 .X ±0.25 .XX ±0.13 .XXX ±0.05	3279-BE	A0

MODEL 3279-BE PAGE 1 OF 1