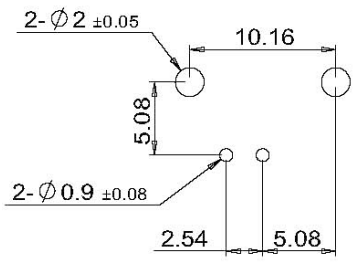
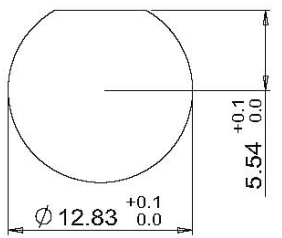


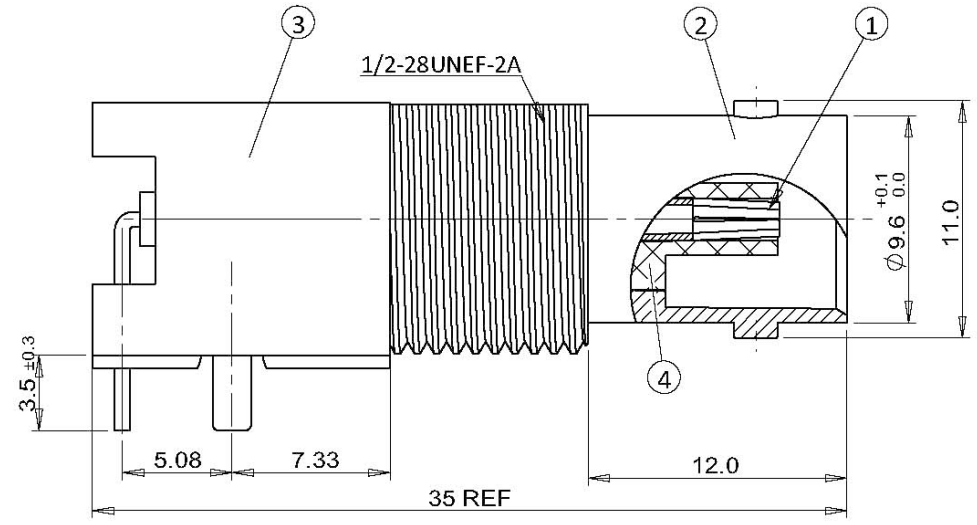
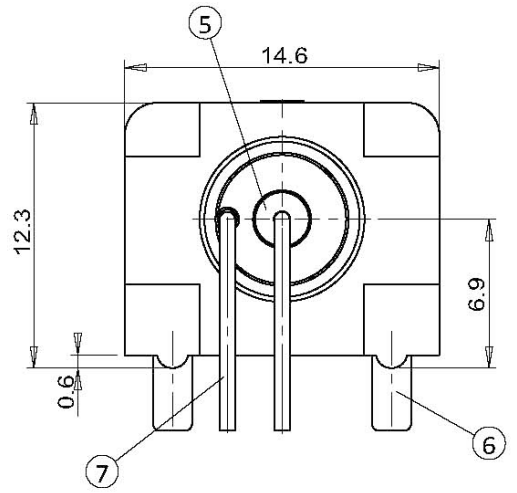
6	7	8
REV	ECO	DESCRIPTION
A	BC12060038	尺寸重新校驗發行



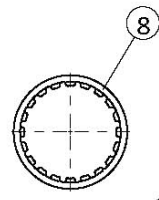
RECOMMEND PC BOARD LAYOUT
WITHOUT MOUNTING POSTS



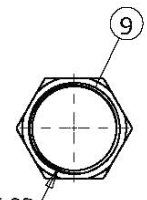
RECOMMENDED MOUNTING HOLE
MAXIMUM PANEL THICKNESS: 5.5mm



- MATERIAL & FINISH**
- 1.CENTER CONTACT : PHOSPHOR BRONZE, GOLD PLATING
 - 2.BODY : ZINC ALLOY, NICKEL PLATING
 - 3.HOUSING : PBT (94 V-0), WHITE
 - 4&5. INSULATOR : PE-606
 - 6.MOUNTING POST : BRASS, TIN PLATING
 - 7.SOLDER TALL: COPPER WIRE, TIN PLATING
 - 8.WASHER : STEEL, NICKEL PLATING
 - 9.NUT : BRASS, NICKEL PLATING



LOCK WASHER
SCALE: 1/1



CLAMP NUT
SCALE: 1/1

PART NUMBER 3280A500	DWG. ELAINA	DATE 18-04-12	易昕企業有限公司 LEAMAX ENTERPRISE CO., LTD.
MATERIAL SEE NOTE	CKD. Huang	DATE 02-05-16	
FINSH SEE NOTE	APPD. James	DATE 18-05-16	
<small>THIRD ANGLE PROJECTION</small>			50Ω BNC R/A PCB MOUNT JACK, WHITE
<small>UNLESS OTHERWISE SPECIFIED: DIMENSIONS ARE IN mm TOLERANCES ARE: X ± 0.5 .XX ± 0.3 XXX ± 0.2 ANGLES ± 3 DEG</small>			DWG NO. 3280-001 REV A
<small>DO NOT SCALE DRAWING</small>			<small>SCALE 3:1 CAD FILE ERP SHEET 1 OF 1</small>