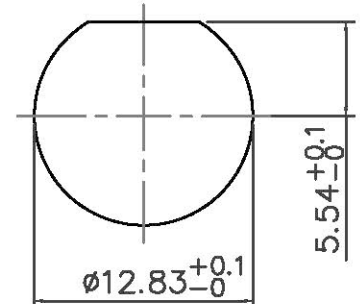
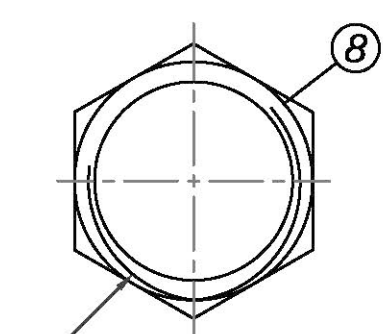
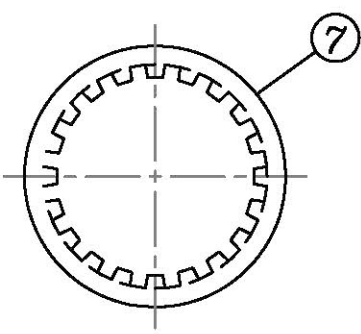
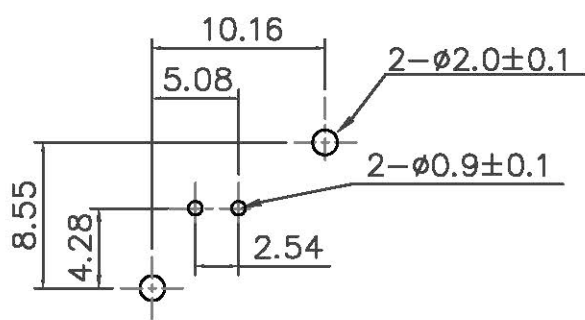
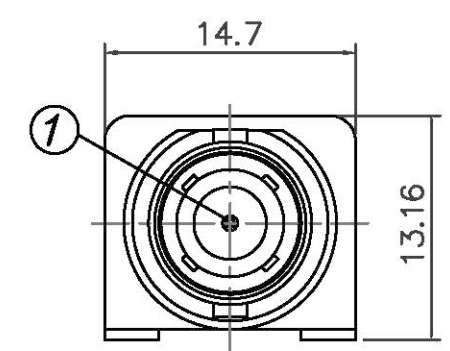
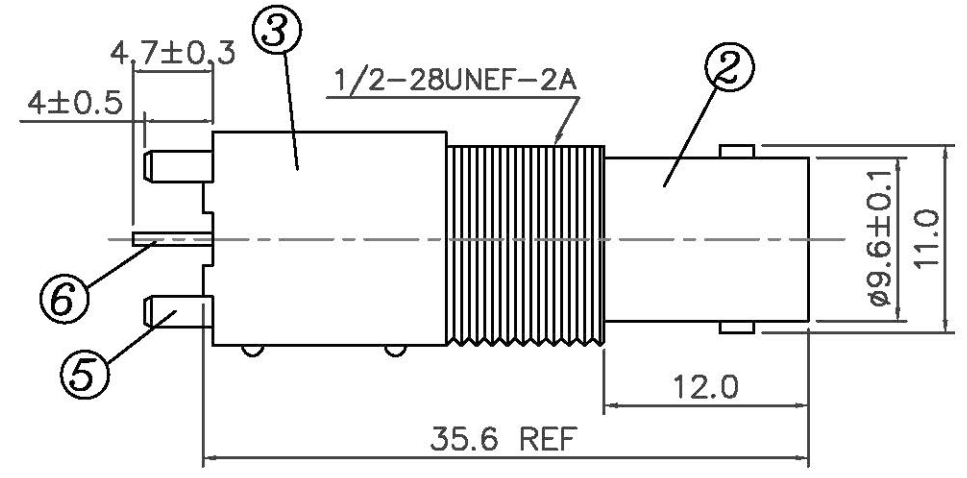
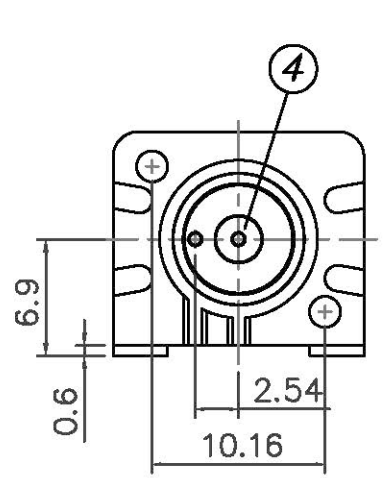


REV	ECO	DESCRIPTION	DRAWN	DATE



**RECOMMENDED PC BOARD LAYOUT  
WITHOUT MOUNTING POSTS**



**LOCK WASHER**

**1/2-28UNEF-2B  
CLAMP NUT**

**RECOMMENDED MOUNTING HOLE  
MAXIMUM PANEL THICKNESS: 5.5MM**

**MATERIAL & FINISH**

- ① CENTER CONTACT : PHOSPHOR BRONZE, GOLD PLATING
- ② BODY : ZINC ALLOY, NICKEL PLATING
- ③ HOUSING : PBT (94 V-0), WHITE
- ④ INSULATOR : PE-606
- ⑤ MOUNTING POST : BRASS, TIN PLATING
- ⑥ SOLDER TAIL : COPPER WIRE, TIN PLATING
- ⑦ WASHER : STEEL, NICKEL PLATING
- ⑧ NUT : BRASS, NICKEL PLATING

PART NUMBER <b>3280-V750W</b>	DWG. Jean_Ke	DATE 10-02-10	 <b>易昕企業有限公司</b> <b>LEAMAX ENTERPRISE CO., LTD.</b>
	CKD. Huang	DATE 02-05-18	
MATERIAL <b>SEE NOTE</b>	APPD. James	DATE 18-05-18	<b>75Ω V/A BNC PCB RECEPTACLE, WHITE HOUSING WITH FITTING</b>
FINISH <b>SEE NOTE</b>	<small>UNLESS OTHERWISE SPECIFIED: DIMENSIONS ARE IN mm TOLERANCES ARE:</small> X. ± 0.5 XX ± 0.3 XXX ± 0.2 ANGLES ± 3 DEG		
THIRD ANGLE PROJECTION 	DO NOT SCALE DRAWING		<b>DWG NO. 3280-003</b> REV <b>A</b>
SCALE 2:1		CAD FILE ERP	SHEET 1 OF 1