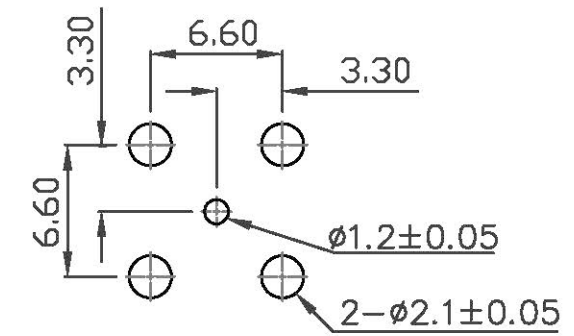
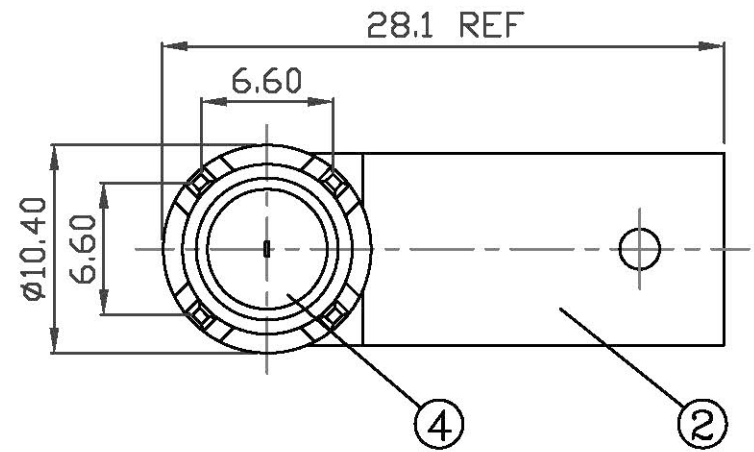
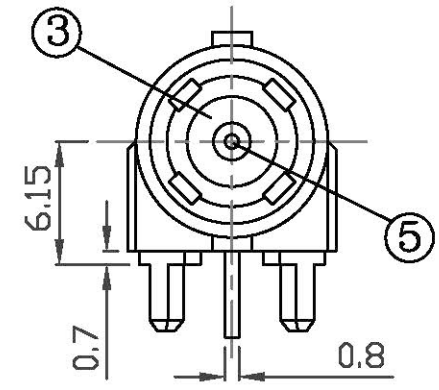
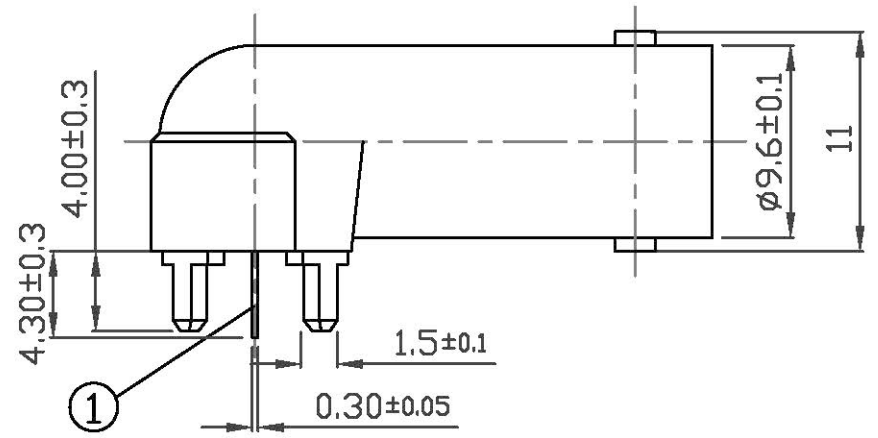


REV	ECO	DESCRIPTION	DRAWN	DATE



MATERIAL & FINISH

- ① CENTER CONTACT : PHOSPHOR BRONZE, TIN PLATING
- ② BODY : ZINC ALLOY, NICKEL PLATING
- ③ INSULATOR : TPX
- ④ INSULATOR : TEFLON
- ⑤ CENTER CONTACT : PHOSPHOR BRONZE, 3u" GOLD PLATING

RECOMMENDED PC BOARD LAYOUT WITHOUT MOUNTING POSTS

PART NUMBER 3280-BR75E	DWG. Jean_Ke	DATE 17-03-10	易昕企業有限公司 LEAMAX ENTERPRISE CO., LTD.
	CKD. Huang	DATE 02-05-18	
MATERIAL SEE NOTE	APPD. James	DATE 13-05-18	75Ω BNC R/A CONNECTORS
FINISH SEE NOTE	UNLESS OTHERWISE SPECIFIED: DIMENSIONS ARE IN mm TOLERANCES ARE: X. ± 0.5 XX ± 0.3 XXX ± 0.2 ANGLES ± 3 DEG		
THIRD ANGLE PROJECTION	DO NOT SCALE DRAWING		DWG NO. 3280-005 REV A
SCALE 2:1		CAD FILE ERP	SHEET 1 OF 1