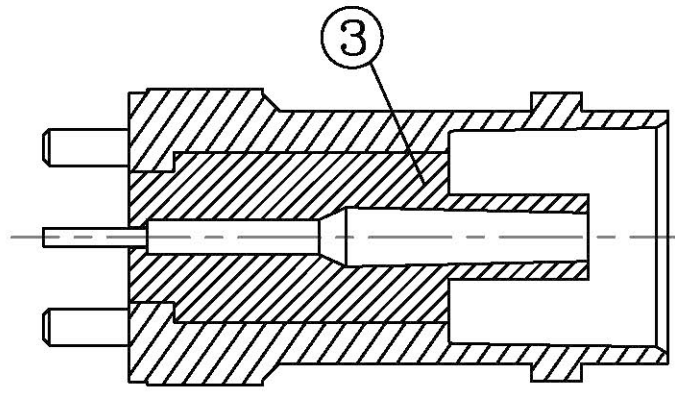
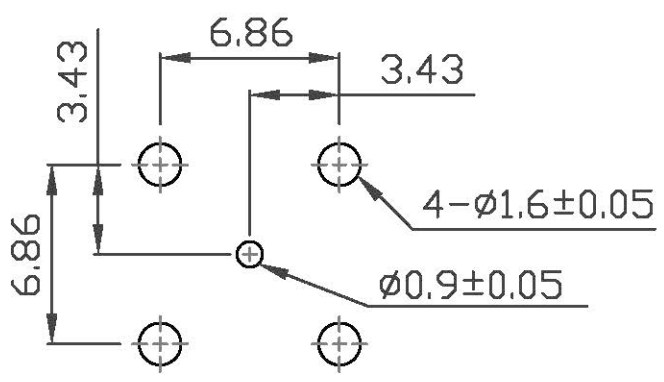
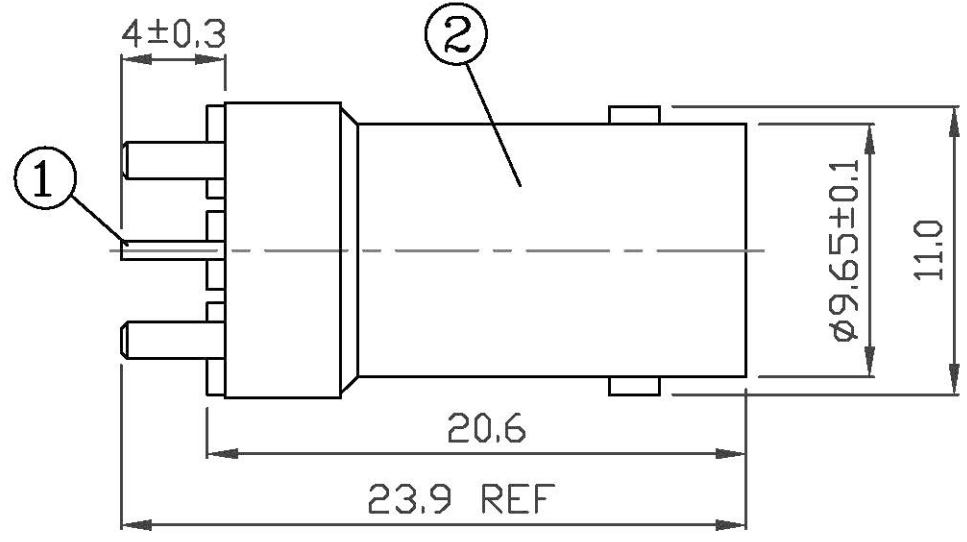
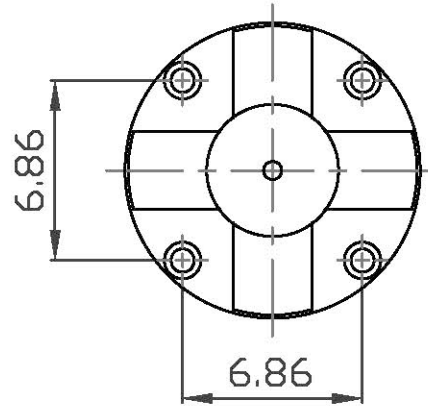




REV	ECO	DESCRIPTION	DRAWN	DATE



**RECOMMENDED PC BOARD LAYOUT  
WITHOUT MOUNTING POSTS**

**MATERIAL & FINISH**

- ① CENTER CONTACT : PHOSPHOR BRONZE, GOLD PLATING
- ② BODY : ZINC ALLOY, NICKEL PLATING
- ③ INSULATOR : TPX

PART NUMBER <b>3280-BV50E</b>	DWG. Jean_Ke	DATE 23-03-10	 <b>易昕企業有限公司</b> LEAMAX ENTERPRISE CO., LTD.
MATERIAL <b>SEE NOTE</b>	CKD. Huang	DATE 02-05-18	
FINISH <b>SEE NOTE</b>	APPD. James	DATE 13-05-18	<b>50Ω BNC PCB RECEPTACLE (JACK)</b>
THIRD ANGLE PROJECTION 	<small>UNLESS OTHERWISE SPECIFIED: DIMENSIONS ARE IN mm TOLERANCES ARE:</small> X. ± 0.5 XX ± 0.3 XXX ± 0.2 ANGLES ± 3 DEG		
DO NOT SCALE DRAWING		SCALE 2:1	CAD FILE ERP SHEET 1 OF 1

REV  
A