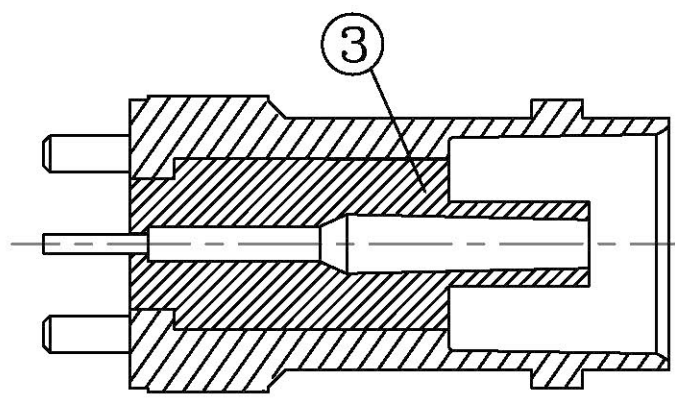
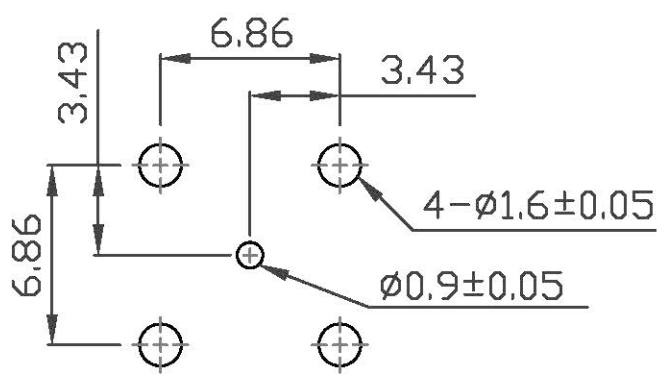
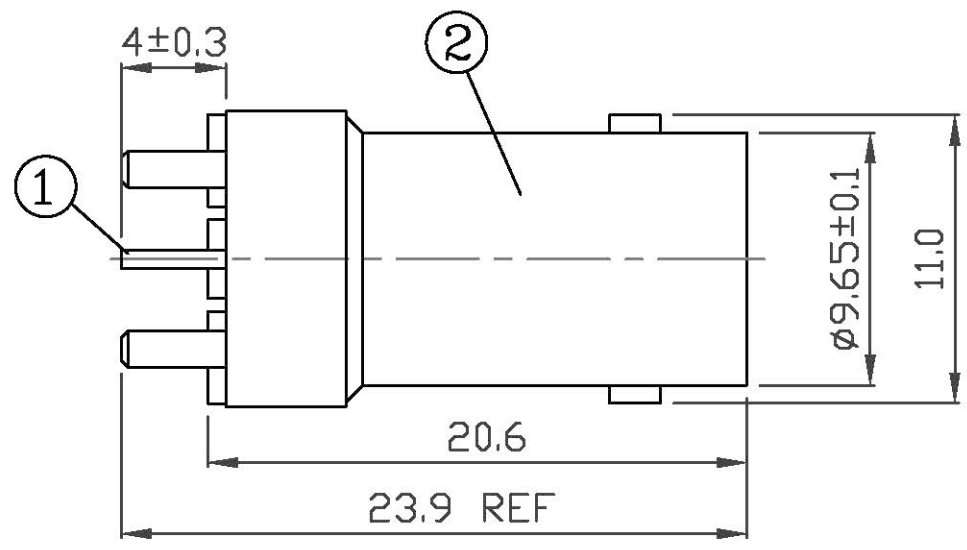
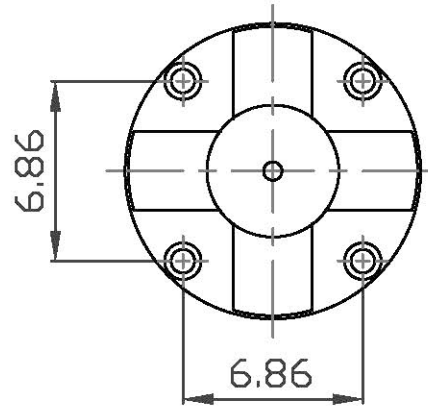



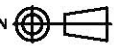
REV	ECO	DESCRIPTION	DRAWN	DATE



**RECOMMENDED PC BOARD LAYOUT
WITHOUT MOUNTING POSTS**

MATERIAL & FINISH

- ① CENTER CONTACT : PHOSPHOR BRONZE, GOLD PLATING
- ② BODY : ZINC ALLOY, NICKEL PLATING
- ③ INSULATOR : TPX

PART NUMBER 3280-BV75E	DWG. Jean_Ke	DATE 23-03-10	 易昕企業有限公司 LEAMAX ENTERPRISE CO., LTD.
	CKD. Huang	DATE 02-05-18	
MATERIAL SEE NOTE	APPD. James	DATE 13-05-18	75Ω BNC PCB RECEPTACLE (JACK)
FINISH SEE NOTE	<small>UNLESS OTHERWISE SPECIFIED: DIMENSIONS ARE IN mm TOLERANCES ARE:</small> X. ± 0.5 XX ± 0.3 XXX ± 0.2 ANGLES ± 3 DEG		
THIRD ANGLE PROJECTION 	DO NOT SCALE DRAWING		DWG NO. 3280-007 SCALE 2:1 CAD FILE ERP SHEET 1 OF 1