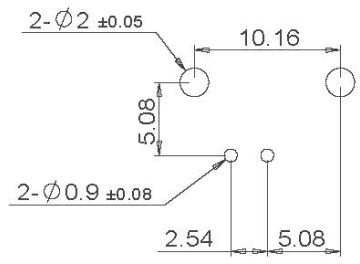
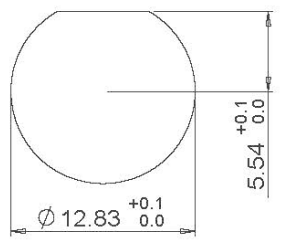


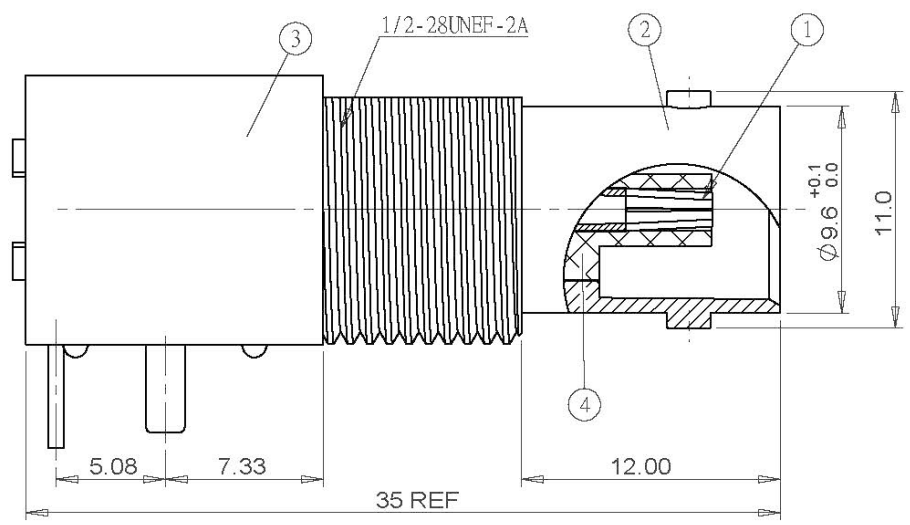
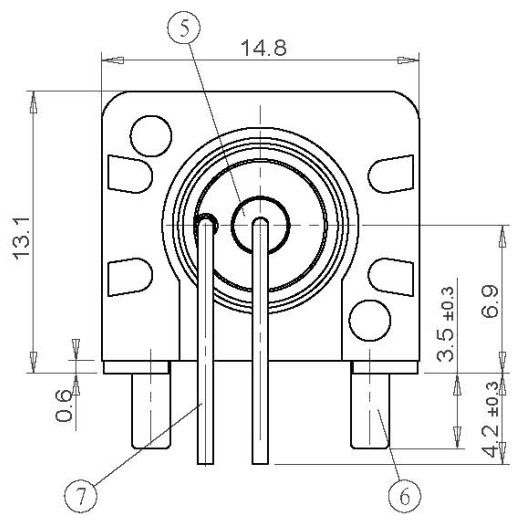
6	7	8
REV	ECO	DESCRIPTION
A	BC12060040	尺寸重新校驗發行



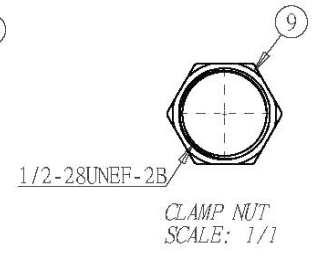
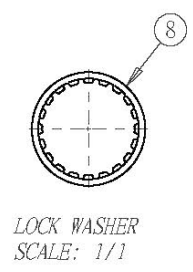
RECOMMEND PC BOARD LAYOUT  
WITHOUT MOUNTING POSTS



RECOMMENDED MOUNTING HOLE  
MAXIMUM PANEL THICKNESS: 5.5mm



- MATERIAL & FINISH**
- CENTER CONTACT : PHOSPHOR BRONZE, GOLD PLATING
  - BODY : ZINC ALLOY, NICKEL PLATING
  - HOUSING : PBT (94 V-0), WHITE
  - & 5. INSULATOR : PE-606
  - MOUNTING POST : BRASS, TIN PLATING
  - SOLDER TALL: COPPER WIRE, TIN PLATING
  - WASHER : STEEL, NICKEL PLATING
  - NUT : BRASS, NICKEL PLATING



PART NUMBER	3281750-3
MATERIAL	SEE NOTE
FINISH	SEE NOTE
THIRD ANGLE PROJECTION	

DWG.	ELAINA	DATE	02-05-12
CKD.	Huang	DATE	02-05-16
APPD.	James	DATE	19-05-16
UNLESS OTHERWISE SPECIFIED: DIMENSIONS ARE IN mm TOLERANCES ARE: XX ± 0.5 XXX ± 0.3 XXXX ± 0.2 ANGLES ± 3 DEG			
DO NOT SCALE DRAWING			

**LEAMAX** 易昕企業有限公司  
LEAMAX ENTERPRISE CO., LTD.

75Ω BNC R/A  
PCB MOUNT  
JACK, WHITE

DWG NO. 3281-003 REV A

SCALE 3:1 CAD FILE ERP SHEET 1 OF 1