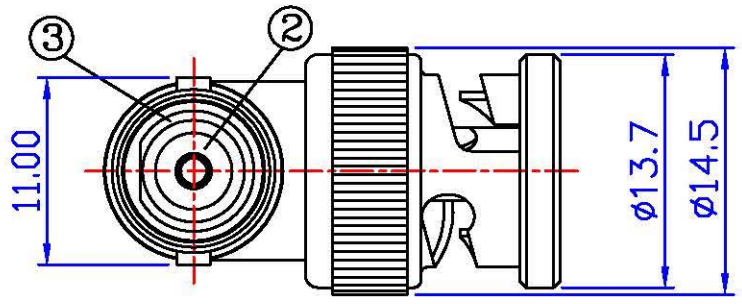
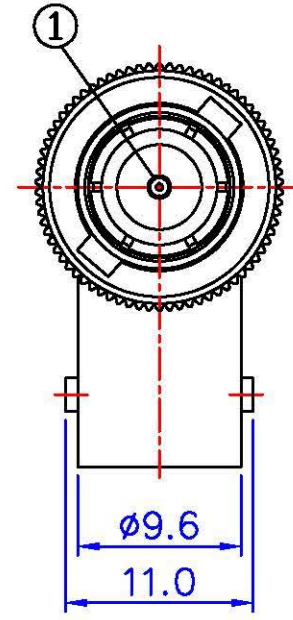
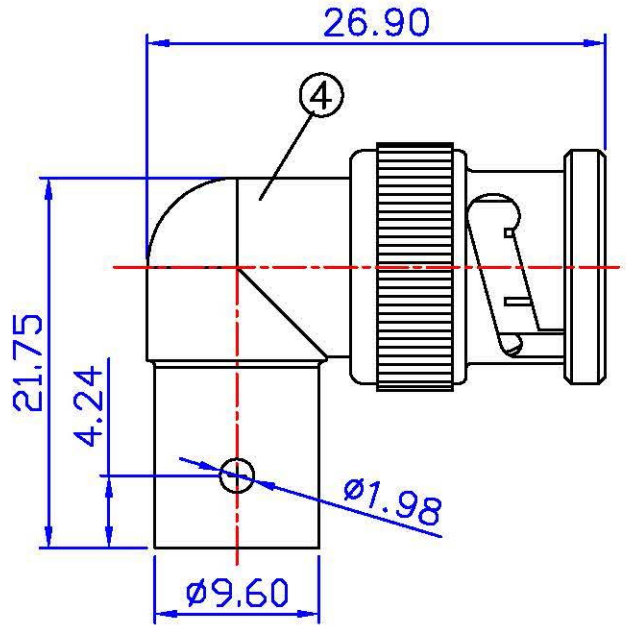


REV	ECO	DESCRIPTION	DRAWN	DATE





**SPECIFICATION**

IMPEDANCE : 75Ω  
 VOLTAGE RATING : 500 V RMS.  
 FREQUENCY RANGE : 0~4 GHz

**MATERIAL & FINISH**

- ① MALE CONTACT : BRASS, GOLD PLATED
- ② FEMALE CONTACT : BRONZE, GOLD PLATED
- ③ INSULATOR : PE-606
- ④ BODY: ZINC ALLOY, NICKEL PLATED

PART NUMBER 328A-7BL-03	DWG. Jean_Ke	DATE 01-03-11	 <b>易昕企業有限公司</b> LEAMAX ENTERPRISE CO., LTD.
	CKD. Huang	DATE 01-07-18	
MATERIAL SEE NOTE	APPD. James	DATE 28-07-18	<b>75Ω BNC ANGLE          ADAPTERS JACK / PLUG</b>
FINISH SEE NOTE	<small>UNLESS OTHERWISE SPECIFIED:          DIMENSIONS ARE IN mm          TOLERANCES ARE:</small> X. ± 0.5 XX ± 0.3 XXX ± 0.2 ANGLES ± 3 DEG		
THIRD ANGLE PROJECTION 	DO NOT SCALE DRAWING		DWG NO. 328A-001 SCALE 2:1 CAD FILE ERP SHEET 1 OF 1