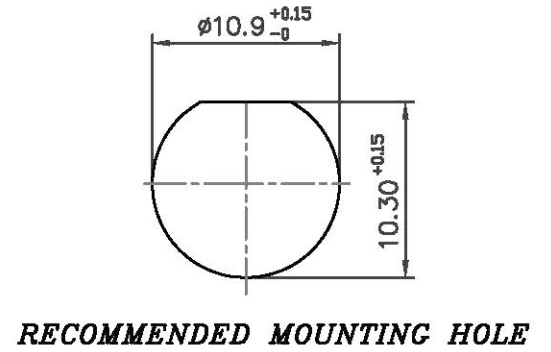
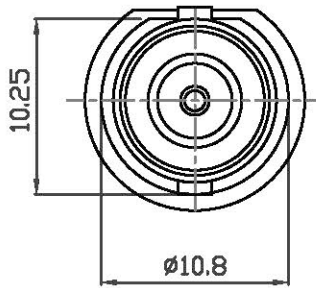
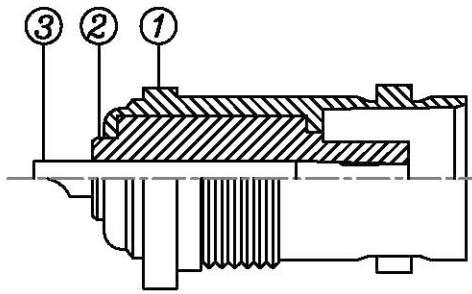
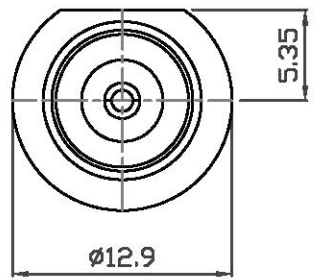
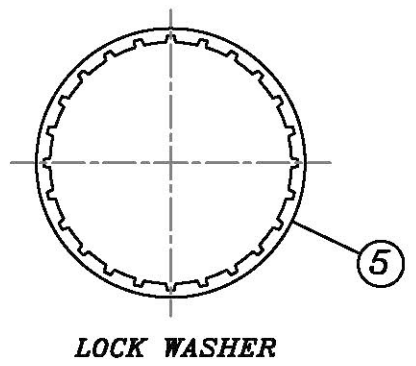
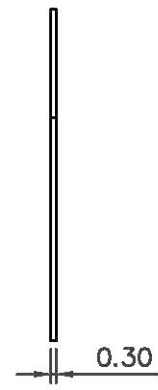
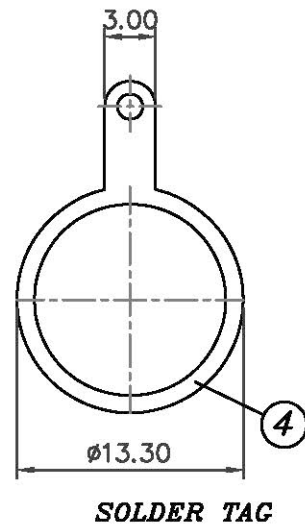
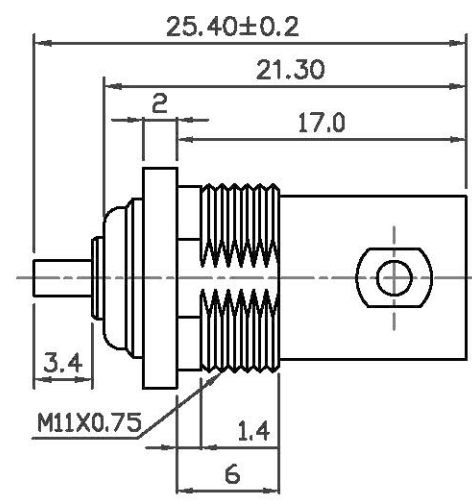


REV	ECO	DESCRIPTION	DRAWN	DATE



**MATERIAL & FINISH**

- ① BODY : ZINC ALLOY, NICKEL PLATING
- ② INSULATOR : POM
- ③ CENTER CONTACT : BRASS, GOLD PLATING
- ④ SOLDER TAG : IRON, NICKEL PLATING
- ⑤ WASHER : IRON, NICKEL PLATING

PART NUMBER <b>3294-7BH-01WS</b>	DWG. Jean_Ke	DATE 09-03-10	易昕企業有限公司 LEAMAX ENTERPRISE CO., LTD.
	CKD. Huang	DATE 02-05-18	
MATERIAL SEE NOTE	APPD. James	DATE 24-05-18	<b>75Ω BNC RECEPTACLES (JACK) REAR MOUNT WITH FITTING</b>
FINISH SEE NOTE	<small>UNLESS OTHERWISE SPECIFIED: DIMENSIONS ARE IN mm TOLERANCES ARE:</small> X. ± 0.5 XX ± 0.3 XXX ± 0.2 ANGLES ± 3 DEG		
THIRD ANGLE PROJECTION	DWG NO. 3294-002		REV A
DO NOT SCALE DRAWING		SCALE 2:1	CAD FILE ERP SHEET 1 OF 1