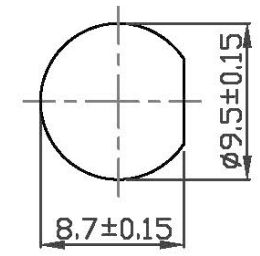
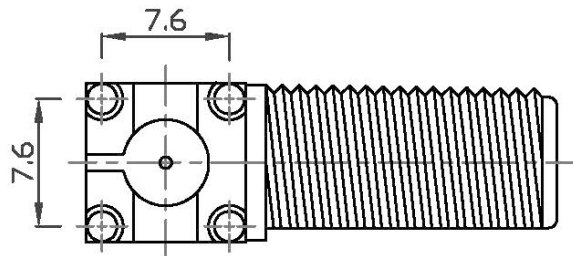
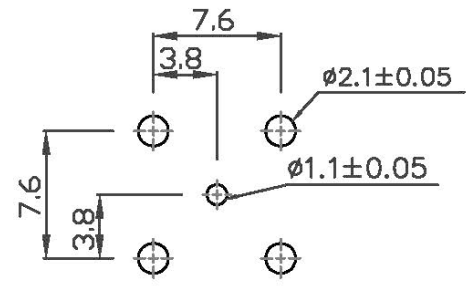
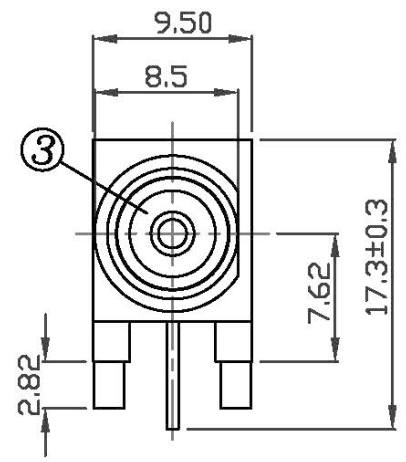
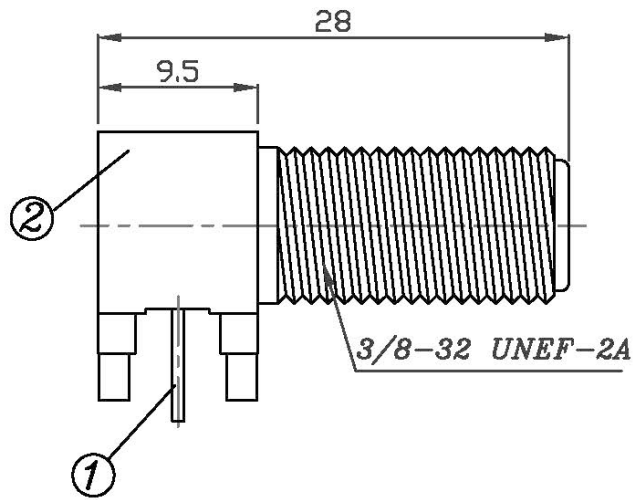
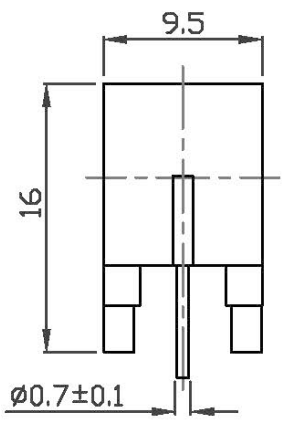


6	7	8
REV	ECO	DESCRIPTION


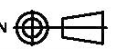


**RECOMMENDED PC BOARD LAYOUT  
WITHOUT MOUNTING POSTS**

**RECOMMENDED  
MOUNTING HOLE**

**MATERIAL & FINISH**

- ① CENTER CONTACT : PHOSPHOR BRONZE, TIN PLATING
- ② BODY : ZINC ALLOY, NICKEL PLATING
- ③ INSULATOR : TPX

PART NUMBER <b>3296</b>	DWG. Jean_Ke	DATE 25-03-10	 <b>易昕企業有限公司</b> LEAMAX ENTERPRISE CO., LTD.
	CKD. Huang	DATE 11-11-15	
MATERIAL <b>SEE NOTE</b>	APPD. James	DATE 18-07-17	<b>TYPE F RECEPTACLE R/A PCB MOUNT</b>
FINISH <b>SEE NOTE</b>	<small>UNLESS OTHERWISE SPECIFIED: DIMENSIONS ARE IN mm TOLERANCES ARE:</small> X ± 0.5 XX ± 0.3 XXX ± 0.2 ANGLES ± 3 DEG		
THIRD ANGLE PROJECTION 	DO NOT SCALE DRAWING		DWG NO. 3296-001 SCALE 2:1 CAD FILE ERP SHEET 1 OF 1