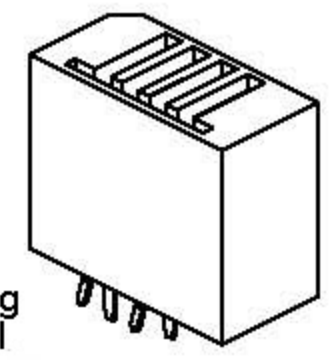
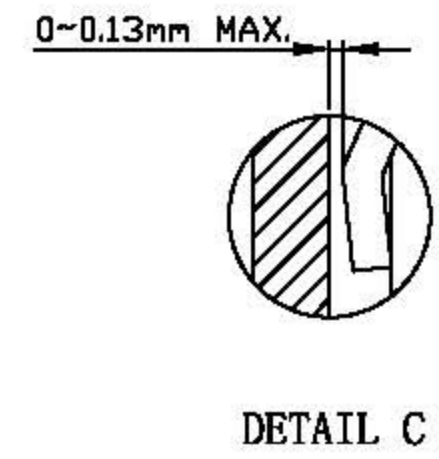
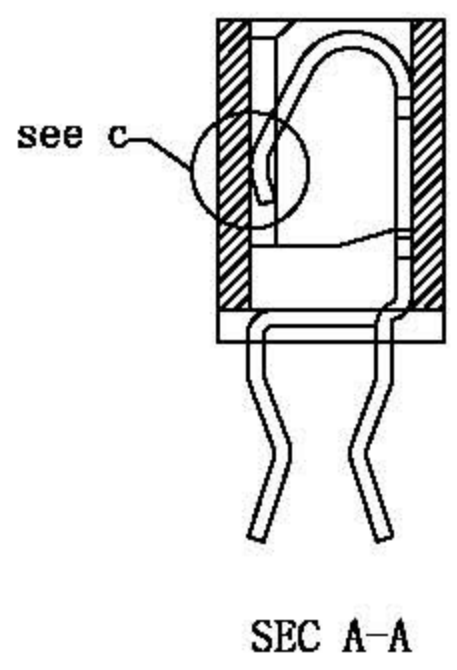
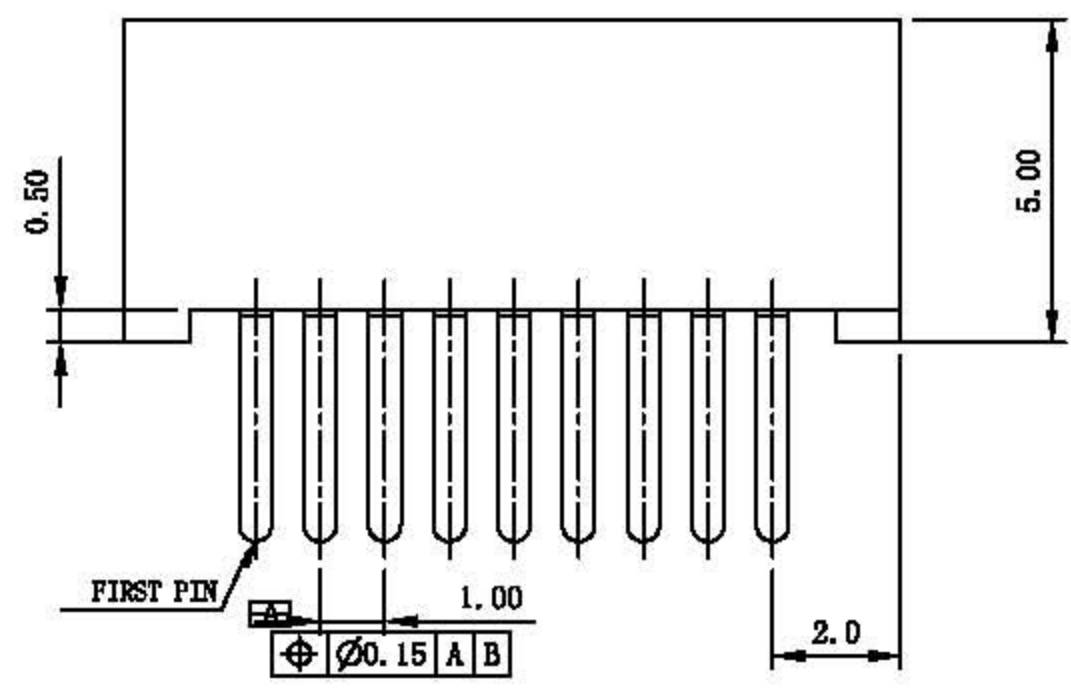


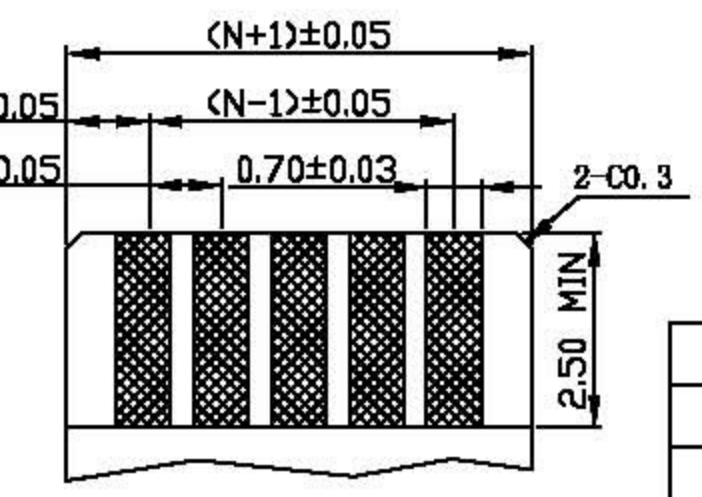
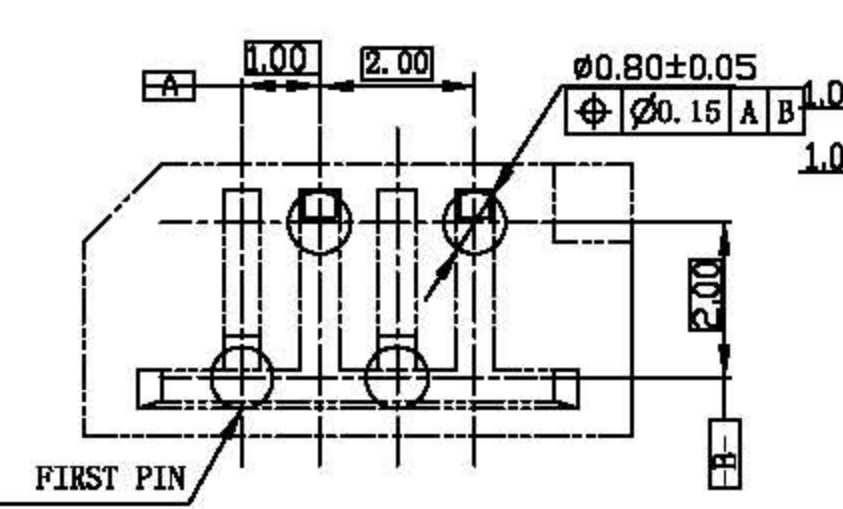
NOTE:
 1. MATERIAL:
 HOUSING: LCP
 TERMINAL: PHOSPHOR BRONZE
 2. P/N:



5430 X XX XX X
 S: single contact
 D: double contact
 No of contact
 T: Tube Packing
 R: Tape & Reel
 SPACE: Normal=ST
 Reverse=SP
 (special layout)



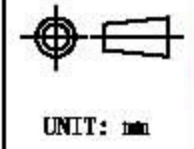
CKT	PART NO.	A	B	C
3	5430S03XXX	6.00	4.10	2.00
4	5430S04XXX	7.00	5.10	3.00
5	5430S05XXX	8.00	6.10	4.00
6	5430S06XXX	9.00	7.10	5.00
7	5430S07XXX	10.00	8.10	6.00
8	5430S08XXX	11.00	9.10	7.00
9	5430S09XXX	12.00	10.10	8.00
10	5430S10XXX	13.00	11.10	9.00
11	5430S11XXX	14.00	12.10	10.00
12	5430S12XXX	15.00	13.10	11.00
13	5430S13XXX	16.00	14.10	12.00
14	5430S14XXX	17.00	15.10	13.00
15	5430S15XXX	18.00	16.10	14.00
16	5430S16XXX	19.00	17.10	15.00
17	5430S17XXX	20.00	18.10	16.00
18	5430S18XXX	21.00	19.10	17.00
19	5430S19XXX	22.00	20.10	18.00
20	5430S20XXX	23.00	21.10	19.00
21	5430S21XXX	24.00	22.10	20.00
22	5430S22XXX	25.00	23.10	21.00
23	5430S23XXX	26.00	24.10	22.00
24	5430S24XXX	27.00	25.10	23.00
25	5430S25XXX	28.00	26.10	24.00
26	5430S26XXX	29.00	27.10	25.00
27	5430S27XXX	30.00	28.10	26.00
28	5430S28XXX	31.00	29.10	27.00
29	5430S29XXX	32.00	30.10	28.00
30	5430S30XXX	33.00	31.10	29.00
31	5430S31XXX	34.00	32.10	30.00
32	5430S32XXX	35.00	33.10	31.00



P.C.B. LAYOUT t=1.6mm
 COMPONENT SIDE

FPC THICKNESS=0.30mm
 TOLERANCE:0.05mm

CUSTOMER
 DRAWING



LEAMAX 易昕企業有限公司
 LEAMAX ENTERPRISE CO., LTD

General Tolerances:
 Angle: ±2° Dim: 0.0 ±0.25
 0.00 ±0.20
 0.000 ±0.10

Sheet 1 of 1
 Part no. 5430S REV: A1

REV	Revision Record	Date	Drawn by	Chk'd by
A	RELEASE	04/18/05		

Appr'd by James 2011/10/26
 Scale 1:1

Title: Pitch 1.00mm
 NON ZIF FOR FFC/FPC
 STRAIGHT

Revise Only On Cad System