

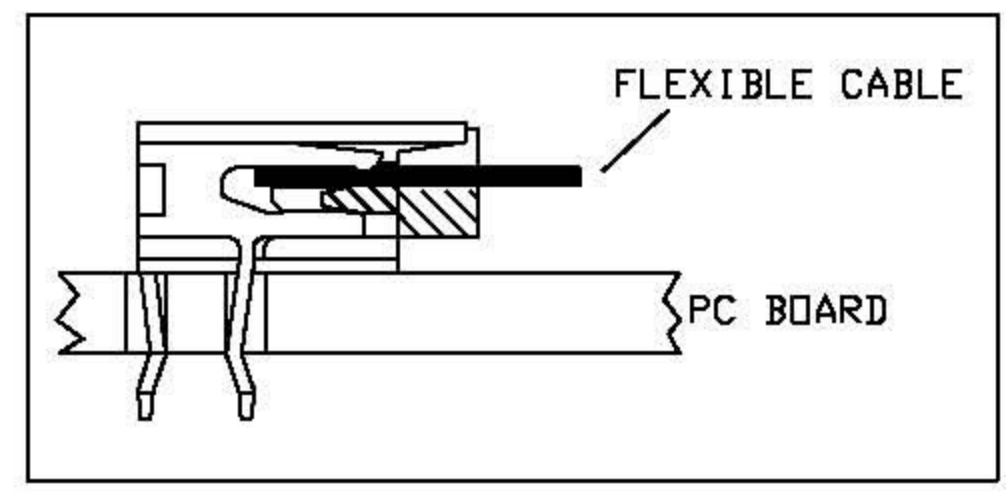
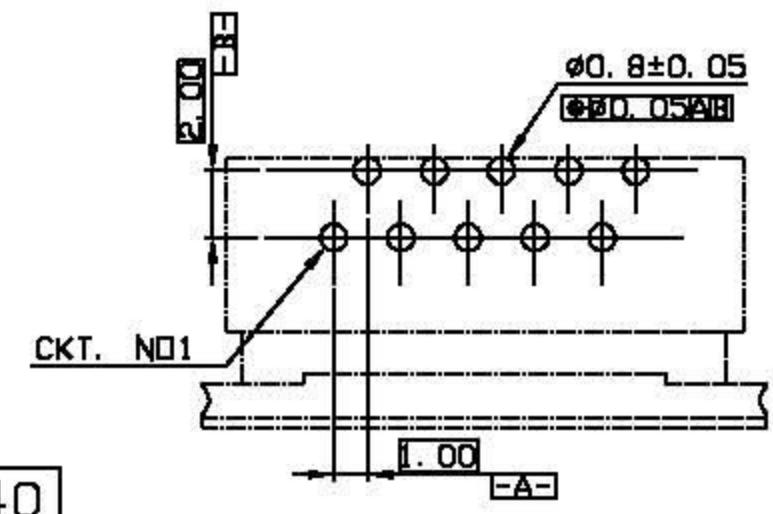
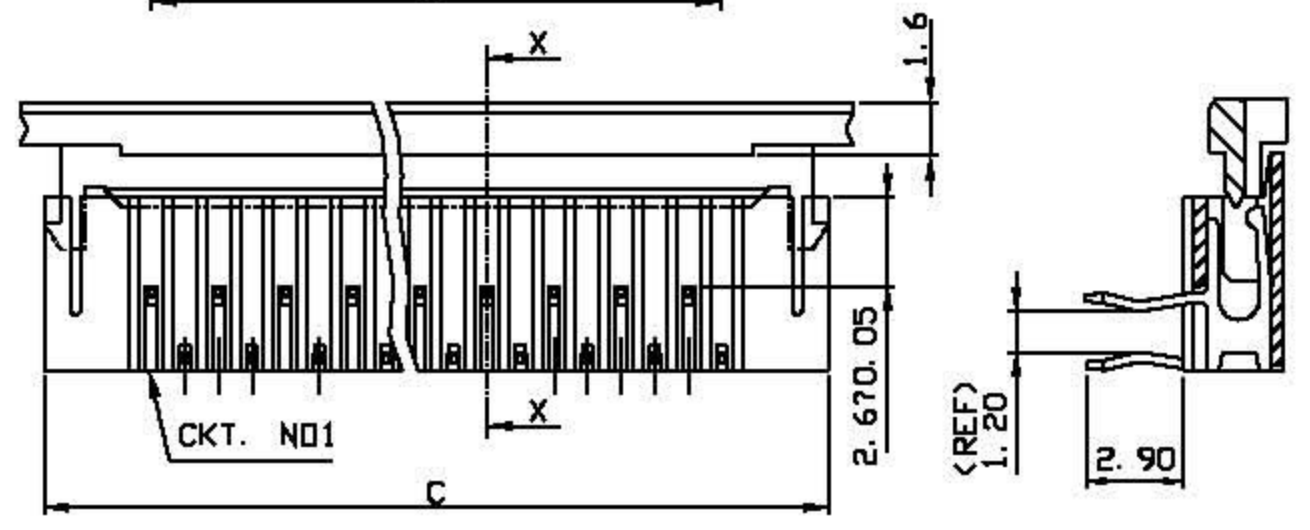
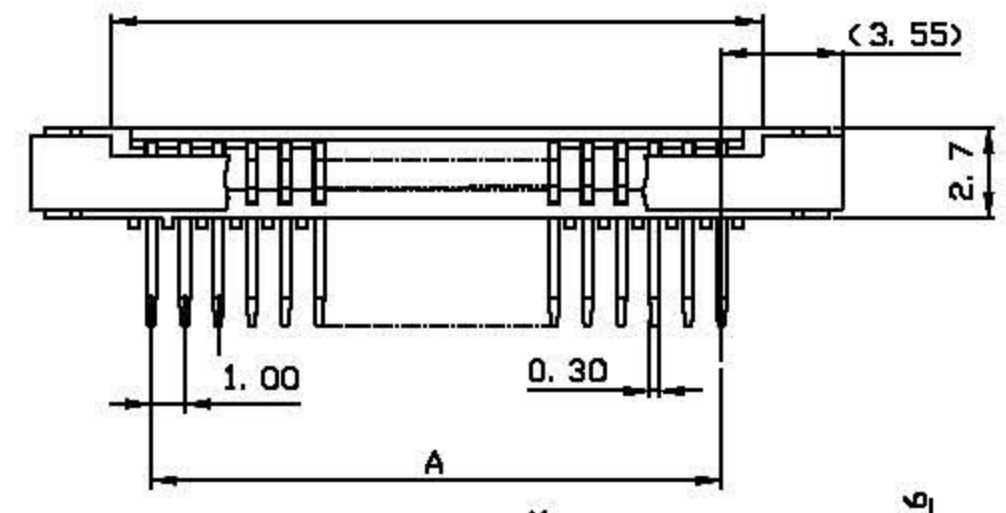
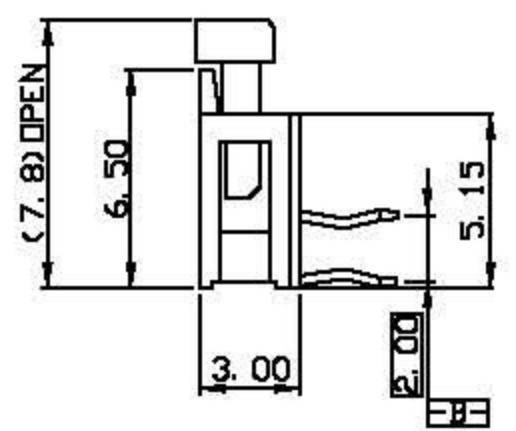
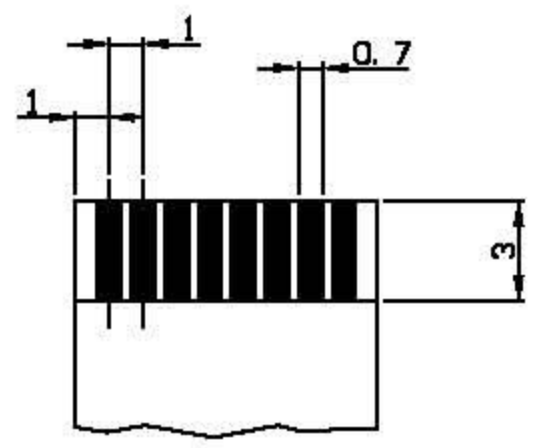
Order Information

5431 XX X X X

No of contacts
3 ~ 30

E: RoHS
T: Tube Packing
R: Right Angle

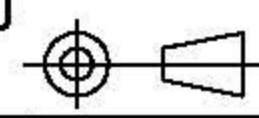
- NOTE:
 1. MATERIAL:
 HOUSING: NYLON46 UL 94V-0
 ACTUATOR: PPA UL 94V-0
 TERMINAL: PHOSPHOR BRONZE
 2. PLATING: 1.TIN/LEAD 120 μ m MIN
 OVER NICKEL
 3. PACKING: TUBE



| | | | |
|-----|--------|--------|--------|
| 30 | 29.00 | 31.20 | 35.40 |
| 29 | 28.00 | 30.20 | 34.40 |
| 28 | 27.00 | 29.20 | 33.40 |
| 27 | 26.00 | 28.20 | 32.40 |
| 26 | 25.00 | 27.20 | 31.40 |
| 25 | 24.00 | 26.20 | 30.40 |
| 24 | 23.00 | 25.20 | 29.40 |
| 23 | 22.00 | 24.20 | 28.40 |
| 22 | 21.00 | 23.20 | 27.40 |
| 21 | 20.00 | 22.20 | 26.40 |
| 20 | 19.00 | 21.20 | 25.40 |
| 19 | 18.00 | 20.20 | 24.40 |
| 18 | 17.00 | 19.20 | 23.40 |
| 17 | 16.00 | 18.20 | 22.40 |
| CKT | DIM. A | DIM. B | DIM. C |

| | | | |
|-----|--------|--------|--------|
| 16 | 15.00 | 17.20 | 21.40 |
| 15 | 14.00 | 16.20 | 20.40 |
| 14 | 13.00 | 15.20 | 19.40 |
| 13 | 12.00 | 14.20 | 18.40 |
| 12 | 11.00 | 13.20 | 17.40 |
| 11 | 10.00 | 12.20 | 16.40 |
| 10 | 9.00 | 11.20 | 15.40 |
| 9 | 8.00 | 10.20 | 14.40 |
| 8 | 7.00 | 9.20 | 13.40 |
| 7 | 6.00 | 8.20 | 12.40 |
| 6 | 5.00 | 7.20 | 11.40 |
| 5 | 4.00 | 6.20 | 10.40 |
| 4 | 3.00 | 5.20 | 9.40 |
| 3 | 2.00 | 4.20 | 8.40 |
| CKT | DIM. A | DIM. B | DIM. C |

LEAMAX 易昕企業有限公司
LEAMAX ENTERPRISE CO., LTD.

| | | | |
|------|---|-------------------------------|-------------------------------|
| PROJ |  | SCALE : F DO NOT SCALE DWG | MOLD NO 5431 |
| APP | | MODEL | FILE NO |
| CHK | James | 100.09.21 | 1.0mm FPC ZIF DIP RIGHT ANGLE |
| DGN | AMY | 100.09.21 | REV. X1 |
| DRW | SHIEH | 100.09.21 | UNIT MM |
| | | | Drawing No: 5431-001 |
| | | | SIZE A4 |