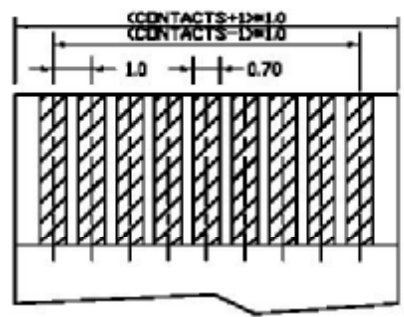
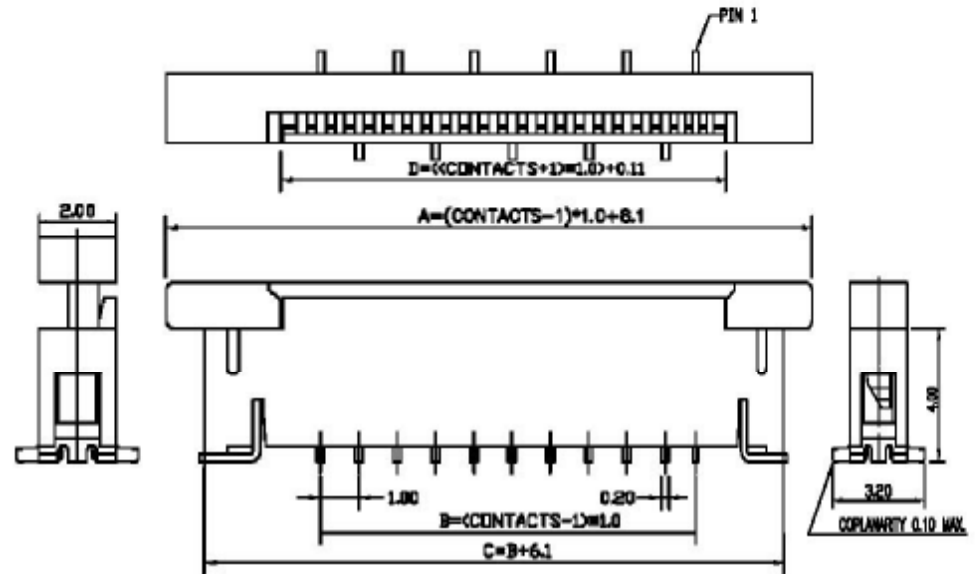


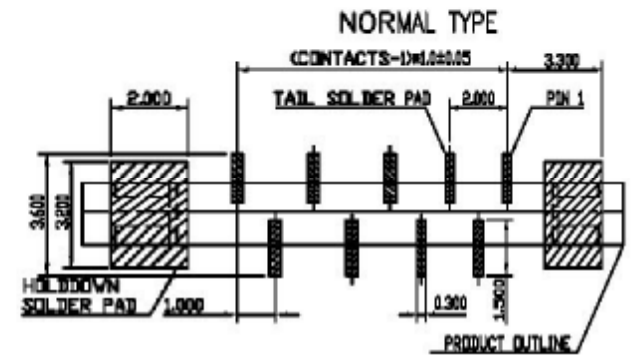
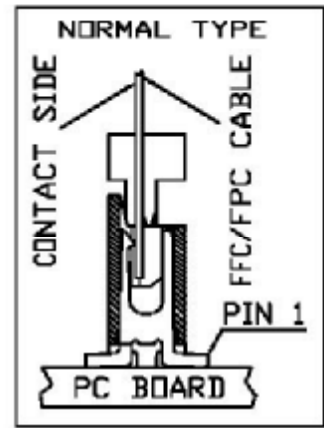
**FEATURE AND SPECIFICATIONS**

FOR 0.3mm THICKNESS FFC/FPC.  
 VOLTAGE: 50V MAX.  
 CURRENT: 0.5A MAX.  
 CONTACT RESISTANCE: 20 milliohms MAX.  
 INSULATION RESISTANCE: 50 Megohms MIN.  
 DIELECTRIC WITHSTANDING VOLTAGE: 250V AC.  
 TEMPERATURE: -40°C TO 85°C  
 FPC RETENTION FORCE: PER PIN 0.3N(0.03kgf) MIN

**MATERIAL AND FINISH**  
 HOUSING: HIGH-TEMP. THERMOPLASTIC. UL 94V-0.  
 ACTUATOR: HIGH-TEMP. THERMOPLASTIC. UL 94V-0.  
 CONTACT: PHOSPHOR BRONZE.  
 HOLDDOWN: BRASS.



FFC/FPC DIMENSION  
THICKNESS 0.30 mm



RECOMMENDED PCB LAYOUT

X±0.20	X%	單位: MM	H: 2.0mm	易昕企業有限公司 LEAMAX ENTERPRISE CO., LTD	
X0±0.15	X0%	材質			名稱 TITLE
X00±0.10	X00%	厚度			ZIF FPC 1.0mm SMT CONN. VERTICAL TOP ENTRY TYPE
		數量	日期: 2009. 06. 04	DWG NO: 5432A	
			繪圖: Amy Shen	SCALE SHEET REV.	
			確認: James Chen	51 1/1 A	