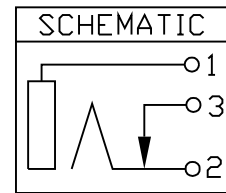
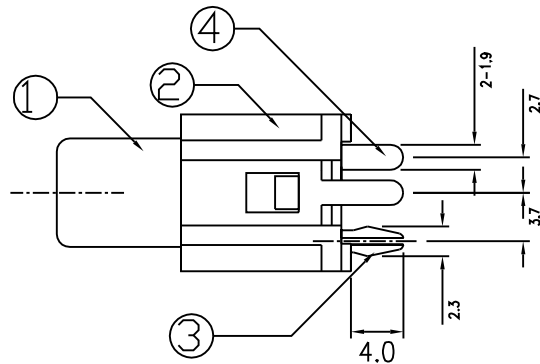

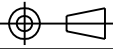


PCB LAYOUT  
(TOP VIEW)



NO.	NAME	MATERIAL	FINISH
1	BARREL	BRASS	NICKEL PLATED
2	HOUSING	ABS	
3	SPRING TERM.	PHOS. BRONZE	SILVER PLATED
4	TERMINAL	BRASS	SILVER PLATED

 <b>易昕企業有限公司</b> LEAMAX ENTERPRISE CO., LTD.					
PROJ		SCALE : F DO NOT SCALE DWG	MOLD NO	8710-3V	
APP			MODEL	FILE NO	REV.
CHK	CCJ	91.11.13	VERTICAL	RCA JACK 3 PIN	X1
DGN	AMY	91.11.13	UNIT	SHT 1 OF 1	SIZE
DRW	SHIEH	91.11.13	MM		A4