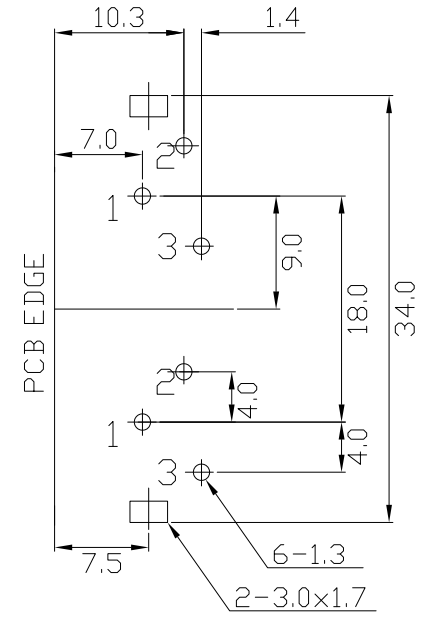
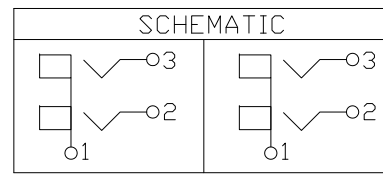
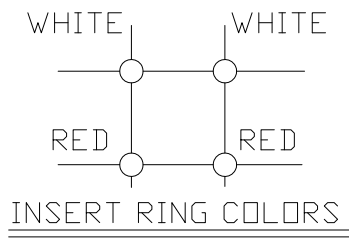
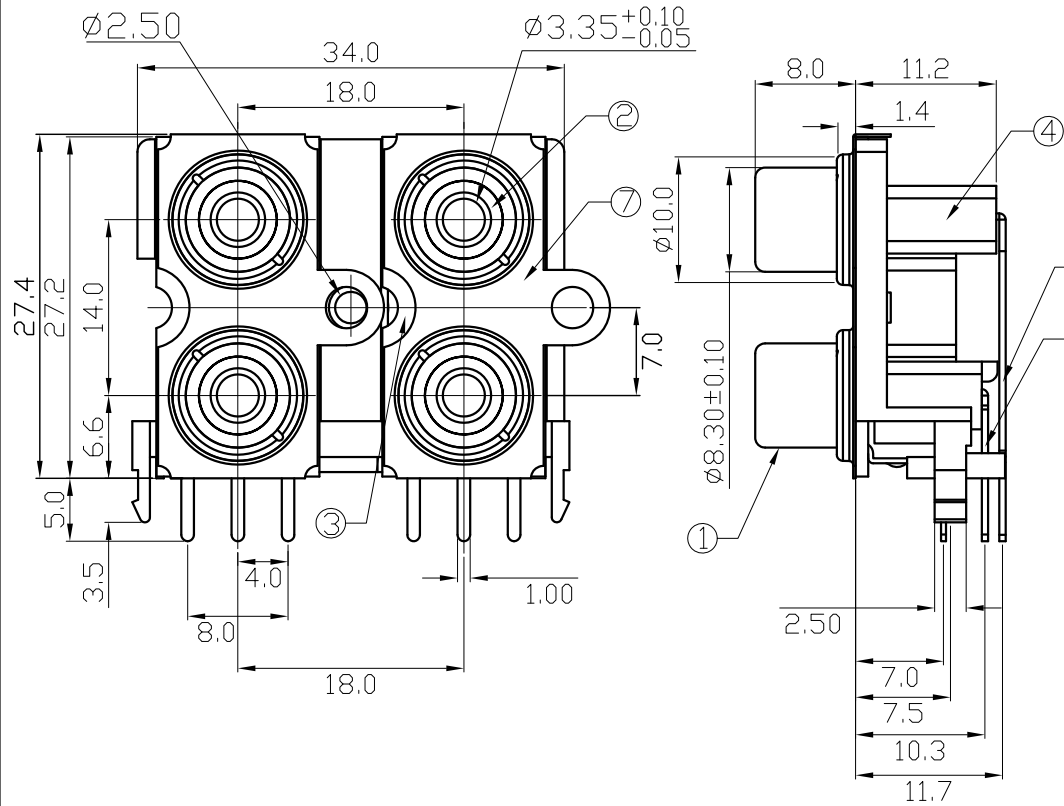


REV	ZONE	REVISION	DATE



NO.	NAME	MATERIAL	FINISH	Q'TY
1	BARREL	BRASS T:0.4	NICKEL PLATED	2
2	INSERT RING	PBT G.F.	WHITE/RED	4
3	COVER	ABS	BLACK	2
4	HOUSING	ABS	WHITE	1
5	TERMINAL	BRASS T:0.5	TIN PLATED	2
6	TERMINAL	BRASS T:0.5	TIN PLATED	2
7	SHIELD COVER	BRASS T:0.5	TIN PLATED	2

Specification:
 Contact Resistance: 30m Ohm. Max. At AC 100mA Max.1KHz
 Insulation Resistance: 100M Ohm Min. At 500V DC
 Rated Voltage And Current: DC 12V,2A Max ; AC 100V,1A Max.
 Dielectric Withstanding Voltage: 500VAC At 60Hz For 1 Minute
 Durability (Life Test): 4000 Cycles
 Insertion Force: 0.3~3.0 Kg
 Extraction Force: 0.3~3.0Kg



易昕企業有限公司
 LEAMAX ENTERPRISE CO., LED.

Drawing No			UNIT	SCALE	TITLE		
8711-002			mm	1:1	RCA JACK		
APPD.	CKD.	DWG.	DATE	TOLERANCE	PART NO.	REV.	
JAMES 31-05-13	SHIRLEY 02-05-13	TINA 28-05-10	28-05-10	X. ±0.38 .X ±0.25 .XX ±0.13 .XXX ±0.05	8711-4PSWRE	A0	

MODEL 8711-4PSWRE PAGE 1 OF 1