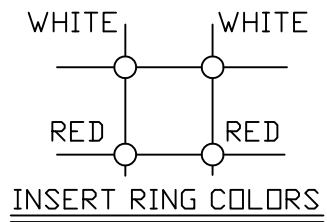
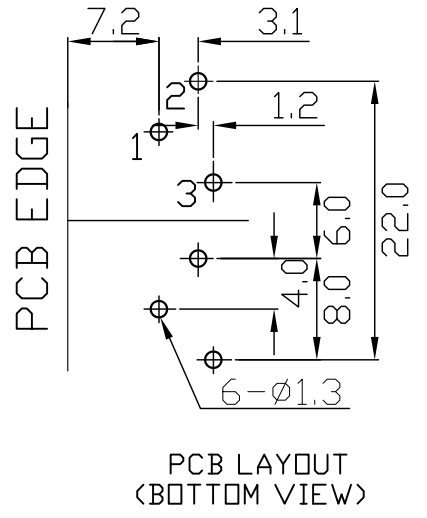
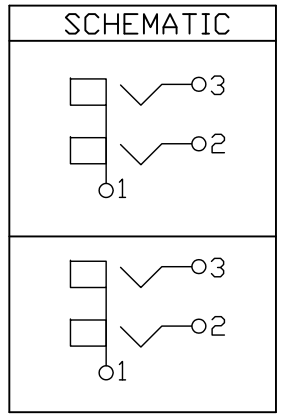
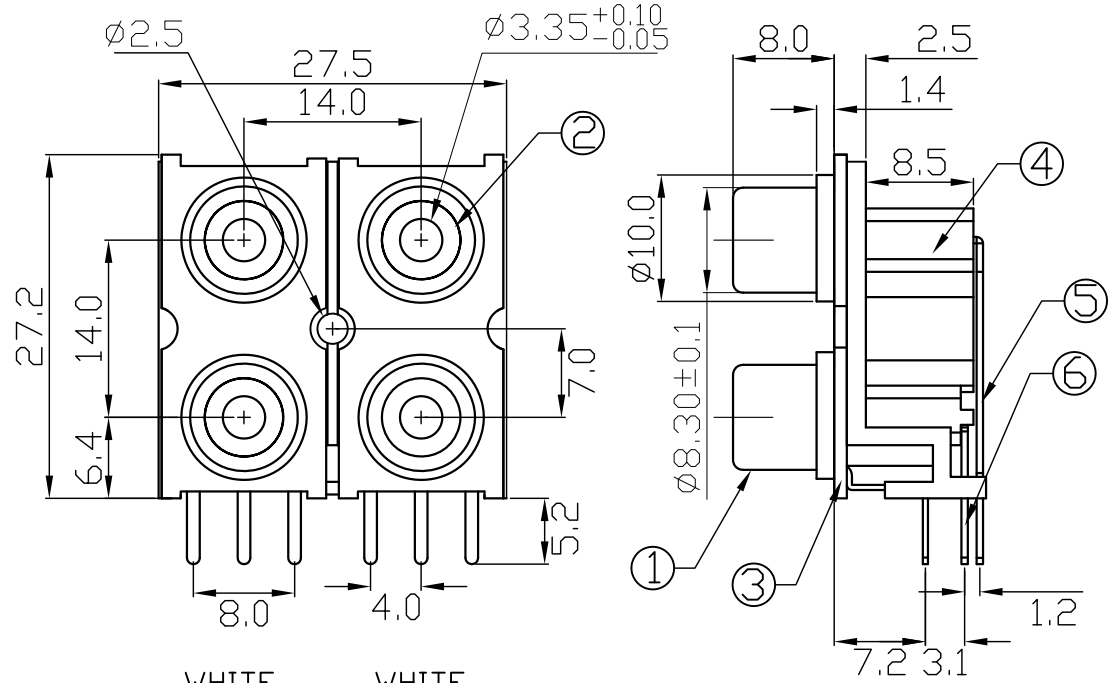


REV	ZONE	REVISION	DATE



Specification:
 Contact Resistance: 30m Ohm. Max. At AC 100mA Max. 1KHz.
 Insulation Resistance: 100M Ohm Min. At 500V DC.
 Rated Voltage And Current: DC 12V, 2A Max ; AC 100V, 1A Max.
 Dielectric Withstanding Voltage: 500VAC At 60Hz For 1 Minute.
 Durability (Life Test): 4000 Cycles.
 Insertion Force: 0.3~3.0 Kg.
 Extraction Force: 0.3~3.0 Kg.



NO.	NAME	MATERIAL	FINISH	Q'TY
1	BARREL	BRASS T:0.4	NICKEL PLATED	2
2	INSERT RING	PBT G.F.	WHITE, RED	4
3	COVER	ABS	BLACK	2
4	HOUSING	ABS	RED	1
5	TERM.	BRASS T:0.5	TIN PLATED	2
6	TERM.	BRASS T:0.5	TIN PLATED	2



易昕企業有限公司
LEAMAX ENTERPRISE CO., LED.

Drawing No			UNIT	SCALE	TITLE	
8713-001			mm	1:1	RCA JACK	
APPD.	CKD.	DWG.	DATE	TOLERANCE	PART NO.	REV.
JAMES 12-04-16	SHIRLEY 01-04-16	TINA 02-01-08	02-01-08	X. ±0.38 .X ±0.25 .XX ±0.13 .XXX ±0.05	8713-4PUWRE	A0

MODEL 8713-4PUWRE **PAGE 1 OF 1**