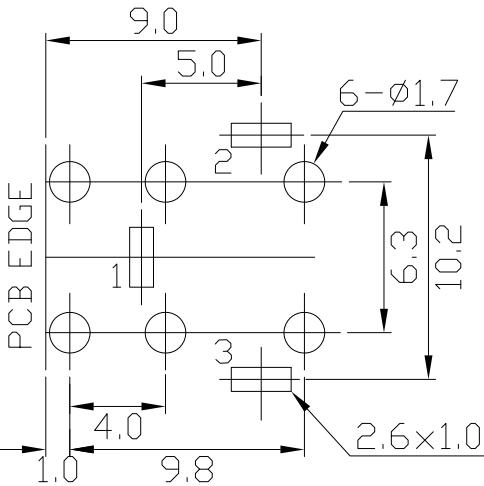
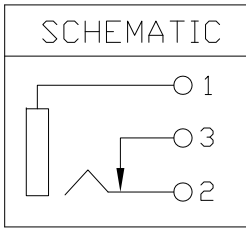


REV	ZONE	REVISION	DATE

NO.	NAME	MATERIAL	FINISH	Q'TY
1	BARREL	BRASS T:0.4	NICKEL PLATED	1
2	SPRING TERMINAL	PHOS. BRONZE T:0.30	TIN PLATED	1
3	TERMINAL	BRASS T:0.4	TIN PLATED	1
4	HOUSING	PBT G.F.	W.R.Y.B.GR.BL.OR	1

Specification:  
 Contact Resistance: 30m Ohm Max. At AC 100mA Max.1KHz.  
 Insulation Resistance: 100M Ohm Min. At 500V DC.  
 Rated Voltage And Current: DC 12V,2A Max.  
 Dielectric Withstanding Voltage: 500VAC At 60Hz For 1 Minute.  
 Durability (Life Test): 4000 Cycles.  
 Insertion Force: 0.3~3.0 Kg.  
 Extraction Force: 0.3~3.0 Kg.



PCB LAYOUT  
(BOTTOM VIEW)



易昕企業有限公司  
LEAMAX ENTERPRISE CO., LED.

Drawing No			UNIT	SCALE	TITLE	
8714-101			mm	1:1	RCA JACK 1PORT	
APPD.	CKD.	DWG.	DATE	TOLERANCE	PART NO.	REV.
JAMES 14-10-15	SHIRLEY 01-10-15	TINA 25-12-07	25-12-07	X. ±0.38 .X ±0.25 .XX ±0.13 .XXX ±0.05	8714-3B1E	A0

MODEL 8714-3B1E PAGE 1 OF 1