

REV	ZONE	REVISION	DATE

NO.	NAME	MATERIAL	FINISH	Q'TY
1	BARREL	BRASS T:0.4	NICKEL PLATED	1
2	SPRING TERMINAL	PHOS. BRONZE T:0.30	TIN PLATED	1
3	TERMINAL	BRASS T:0.4	TIN PLATED	1
4	HOUSING	PBT G.F.	B.W.Y.R. L.D.N	1

Specification:
 Contact Resistance: 30m Ohm Max. At AC 100mA Max.1KHz.
 Insulation Resistance: 100M Ohm Min. At 500V DC.
 Rated Voltage And Current: DC 12V,2A Max.
 Dielectric Withstanding Voltage: 500VAC At 60Hz For 1 Minute.
 Durability (Life Test): 4000 Cycles.
 Insertion Force: 0.3~3.0 Kg.
 Extraction Force: 0.3~3.0 Kg.

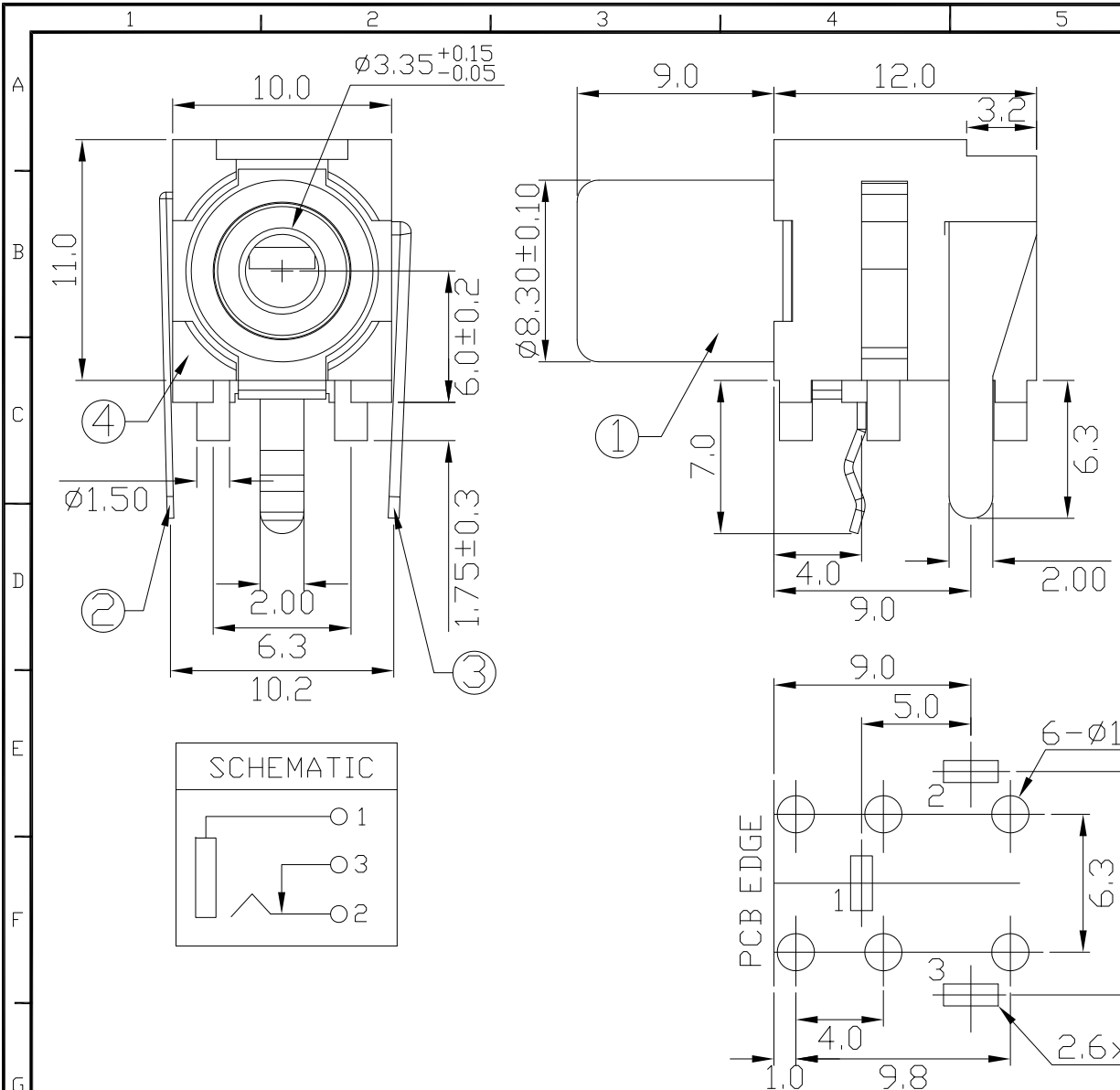
Order Information

8714-3x1E

Housing Color
 B: BLACK
 W: WHITE
 Y: YELLOW
 R: RED
 Special :
 L: BLUE
 O: ORANGE
 N: GREEN



PCB LAYOUT
(BOTTOM VIEW)



LEAMAX 易昕企業有限公司
 LEAMAX ENTERPRISE CO., LED.

MODEL 8714-3x1E PAGE 1 OF 1

Drawing No			UNIT	SCALE	TITLE	
8714-101			mm	1:1	RCA JACK 1PORT	
APPD.	CKD.	DWG.	DATE	TOLERANCE	PART NO.	REV.
JAMES 14-10-15	SHIRLEY 01-10-15	TINA 25-12-07	25-12-07	X. ±0.38 .X ±0.25 .XX ±0.13 .XXX ±0.05	8714-3x1E	A0