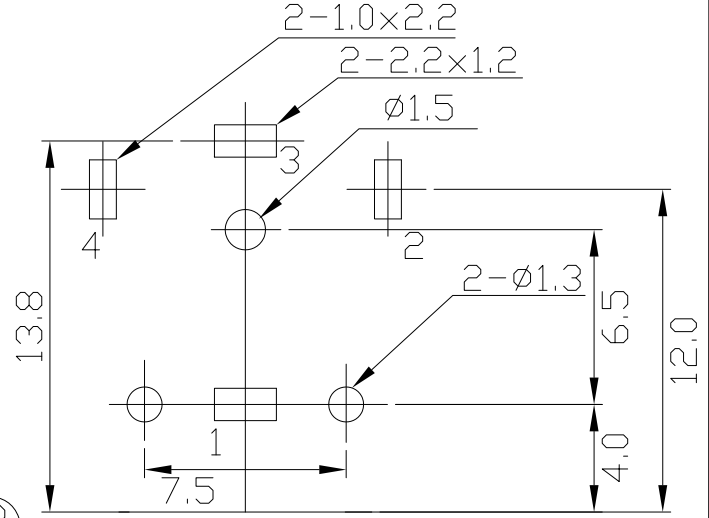
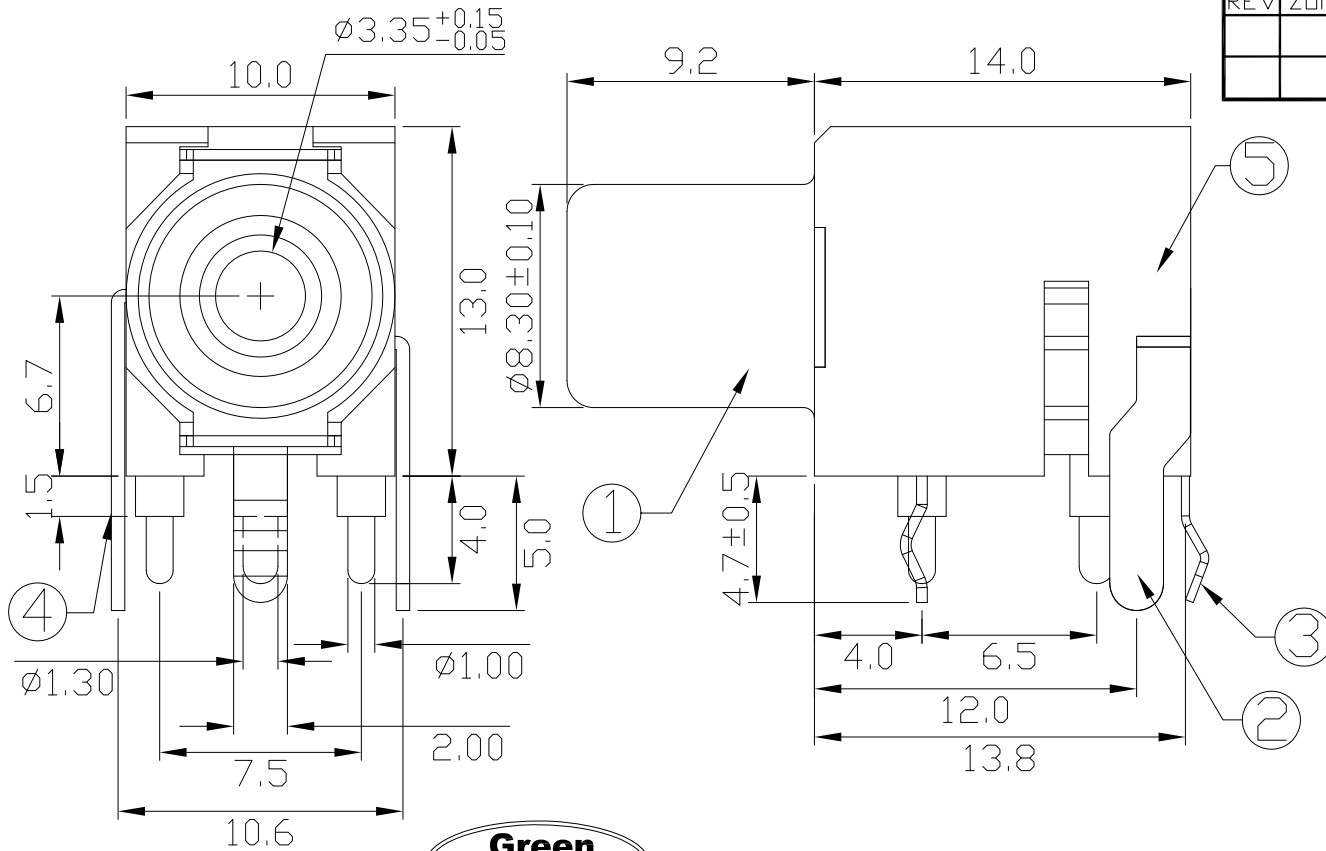
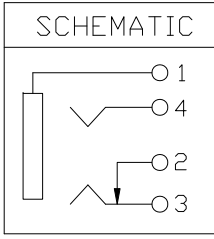


REV	ZONE	REVISION	DATE



Green Product

NO.	NAME	MATERIAL	FINISH	Q'TY
1	BARREL	BRASS T:0.4	NICKEL PLATED	1
2	TERMINAL	BRASS T:0.5	TIN PLATED	1
3	SPRING TERM.	PHOS.BRZDNE T:0.3	TIN PLATED	1
4	TERMINAL	BRASS T:0.5	TIN PLATED	1
5	HOUSING	PBT G.F.	B.W.Y.R. L.D.N	1



Specification:
 Contact Resistance: 30m Ohm Max. At AC 100mA Max.1KHz.
 Insulation Resistance: 100M Ohm Min. At 500V DC.
 Rated Voltage And Current: DC 12V,2A Max.
 Dielectric Withstanding Voltage: 500VAC At 60Hz For 1 Minute.
 Durability (Life Test): 4000 Cycles.
 Insertion Force: 0.3~3.0 Kg.
 Extraction Force: 0.3~3.0 Kg.

Order Information

8714-4xYE

Housing Color
 B: BLACK
 W: WHITE
 Y: YELLOW
 R: RED
 Special :
 L: BLUE
 O: ORANGE
 N: GREEN



易昕企業有限公司
 LEAMAX ENTERPRISE CO., LED.

Drawing No			UNIT	SCALE	TITLE	
8714-201			mm	1:1	RCA JACK	
APPD.	CKD.	DWG.	DATE	TOLERANCE	PART NO.	REV.
JAMES 13-04-17	SHIRLEY 05-04-17	TINA 10-09-15	10-09-15	X. ±0.38 .X ±0.25 .XX ±0.13 .XXX ±0.05	8714-4xYE	A0

MODEL

8714-4xYE

PAGE 1 OF 1