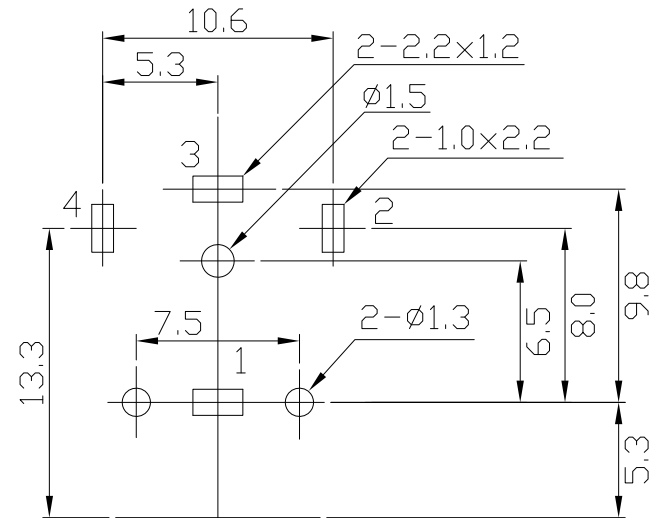
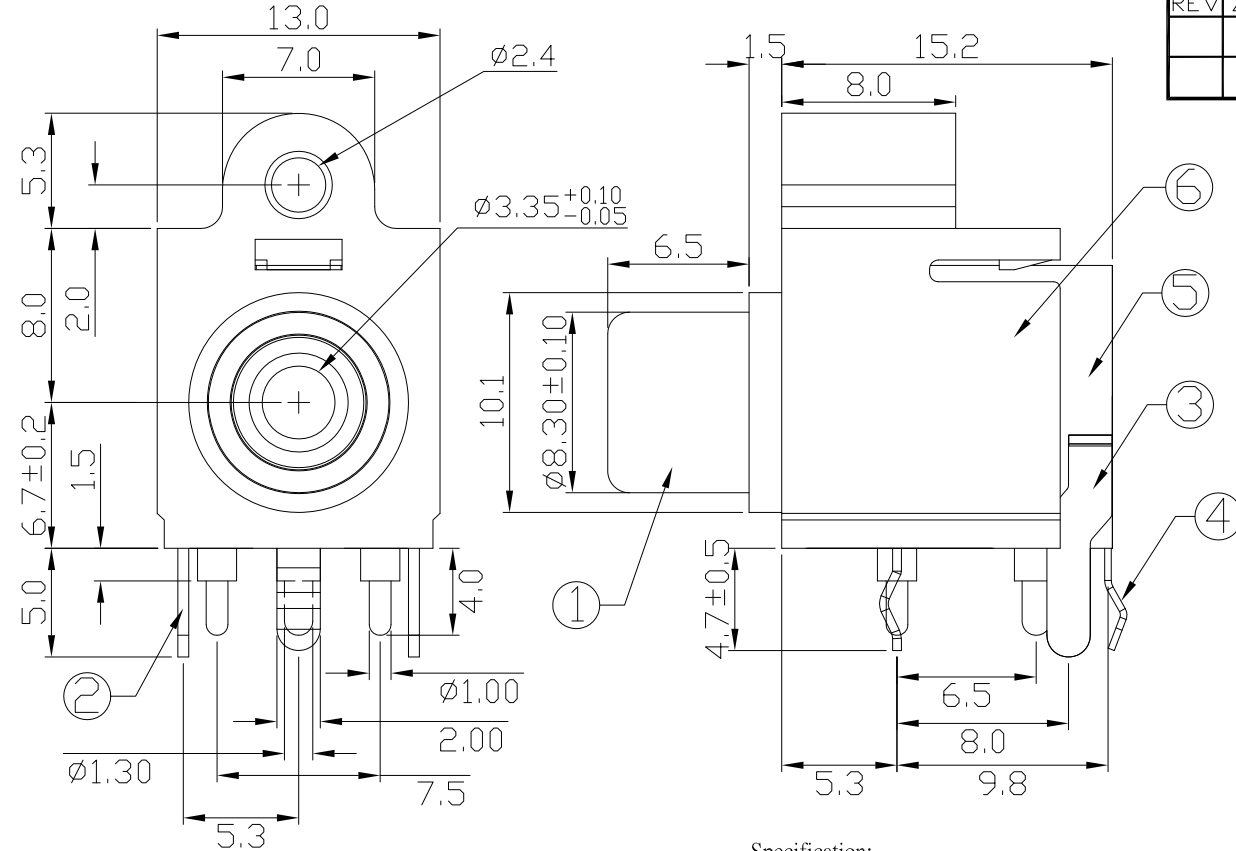


REV	ZONE	REVISION	DATE



PCB EDGE
PCB LAYOUT
COMPONENT SIDE

Green Product

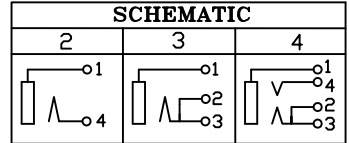
Specification:

- Contact Resistance: 30m Ohm Max. At AC 100mA Max.1KHz.
- Insulation Resistance: 100M Ohm Min. At 500V DC.
- Rated Voltage And Current: DC 12V,2A Max.
- Dielectric Withstanding Voltage: 500VAC At 60Hz For 1 Minute.
- Durability (Life Test): 4000 Cycles.
- Insertion Force: 0.3~3.0 Kg.
- Extraction Force: 0.3~3.0 Kg.

Order Information

8714-LxxE

Housing Color: SCHEMATIC
W: WHITE
Y: YELLOW
R: RED
Special :
B: BLACK
L: BLUE
O: ORANGE
N: GREEN



NO.	NAME	MATERIAL	FINISH	Q'TY
1	BARREL	BRASS T:0.4	NICKEL PLATED	1
2	TERMINAL	BRASS T:0.5	TIN PLATED	1
3	TERMINAL	BRASS T:0.5	TIN PLATED	1
4	SPRING TERM.	PHOS.BRZONE T:0.3	TIN PLATED	1
5	HOUSING	PBT G.F.	W.Y.R.B.L.O.N	1
6	COVER	ABS	BLACK	1



易昕企業有限公司
LEAMAX ENTERPRISE CO., LED.

Drawing No			UNIT	SCALE	TITLE		
8714-L01			mm	1:1	RCA JACK		
APPD.	CKD.	DWG.	DATE	TOLERANCE	PART NO.	REV.	
JAMES 28-04-17	SHIRLEY 28-04-17	TINA 28-04-17	28-04-17	X: ±0.38 X: ±0.25 .XX ±0.13 .XXX ±0.05	8714-LxxE	A0	

MODEL 8714-LxxE PAGE 1 OF 1