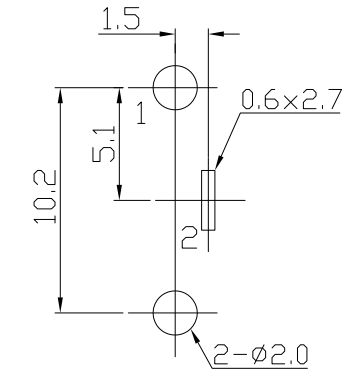
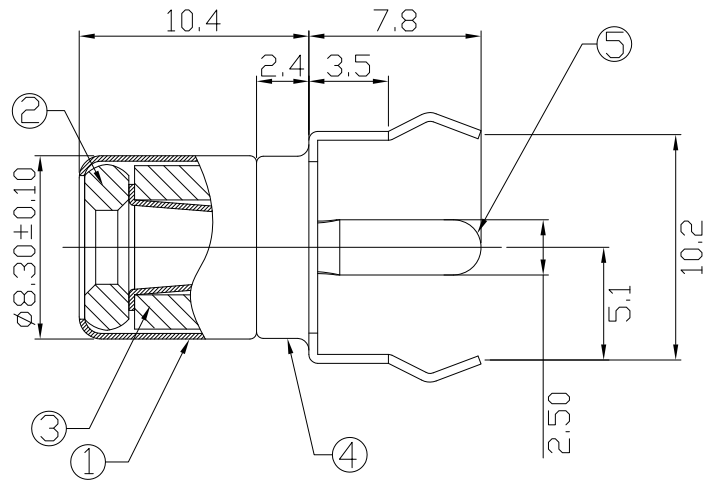
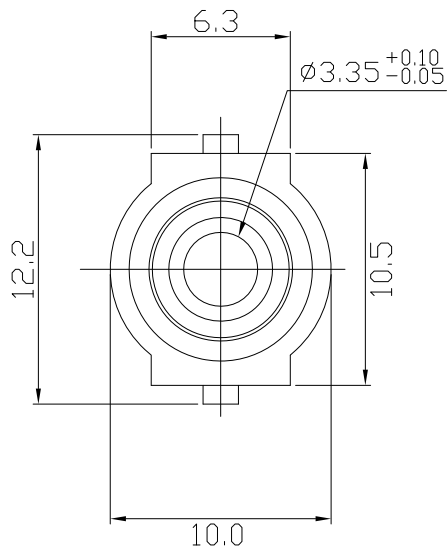
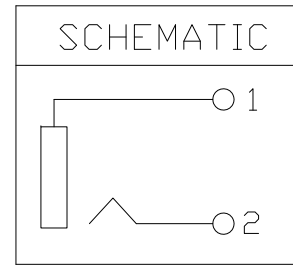


REV	ZONE	REVISION	DATE



PCB LAYOUT
(BOTTOM VIEW)



Order Information

8715-VG-1xE

RING Color
 Y: YELLOW
 W: WHITE
 R: RED
 Special :
 B: BLACK
 L: BLUE
 N: GREEN
 O: ORANGE

Specification:

Contact Resistance: 30m Ohm Max. At AC 100mA Max.1KHz.

Insulation Resistance: 100M Ohm Min. At 500V DC.

Rated Voltage And Current: DC 12V,2A Max.

Dielectric Withstanding Voltage: 500VAC At 60Hz For 1 Minute.

Durability (Life Test): 4000 Cycles.

Insertion Force: 0.3~3.0 Kg.

Extraction Force: 0.3~3.0 Kg.



NO.	NAME	MATERIAL	FINISH	Q'TY
1	BARREL	C.R.S 0.30	GOLD PLATED	1
2	RING	PBT	YELLOW/WHITE/RED/BLACK/BLUE/GREEN/ORANGE	1
3	INSULATOR	PBT	WHITE	1
4	BRACKET	C.R.S 0.40	NICKEL PLATED	1
5	TERMINAL	BRASS 0.25	TIN PLATED	1



易昕企業有限公司
 LEAMAX ENTERPRISE CO., LED.

Drawing No

8715-102

UNIT

mm

SCALE

1:1

TITLE

RCA JACK

APPD.

CHEN
09-17-18

CKD.

SHIRLEY
01-12-17

DWG.

TINA
11-10-10

DATE

11-10-10

TOLERANCE

X. +0.38
 .X +0.25
 .XX +0.13
 .XXX +0.05

PART NO.

8715-VG-1xE

REV.

A2

MODEL

8715-VG-1xE

PAGE 1 OF 1