

NOTES

1.MATERIALS:

HOUSING-PBT 30% GF UL 94V-0.BLACK

CONTACT-PHOSPHOR BRONZE, C5191R-H T=0.6mm

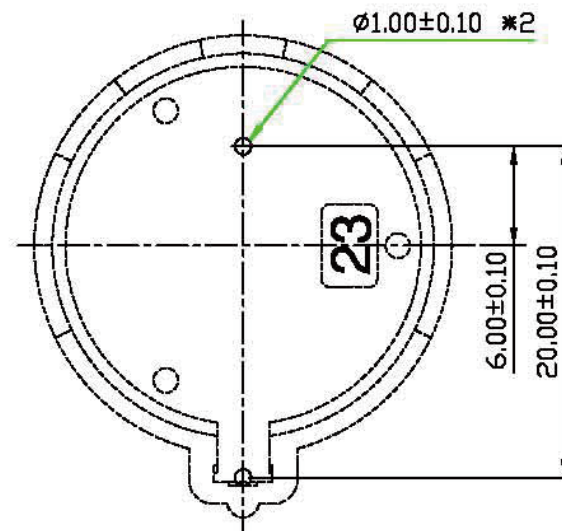
2.FLASH: 0.25mm MAX.

3.CAMBER:0.13mm MAX. DEFORMATION:NA.

WARP:0.13mm MAX. TWIST:NA.

4.PLATING:TIN 100u" MIN OVER Ni 50u" MIN.

RoHS



RECOMMEND PCB LAYOUT
COMPONENT SIDE

PN:4340-RPE

BATTERY DIM. D=19.8, T=3.2

A=22.8 , B=27.8



易昕企業有限公司
LEAMAX ENTERPRISE CO., LTD.

PROJ	SCALE : F DO NOT SCALE DWG	PART NO 4340-RPE
APP JAMES	2013.04.10	DRAWING NO 4340-006
CHK		REV. X1
DGN		UNIT MM
DRW		SHT 1 OF 1 SIZE A4