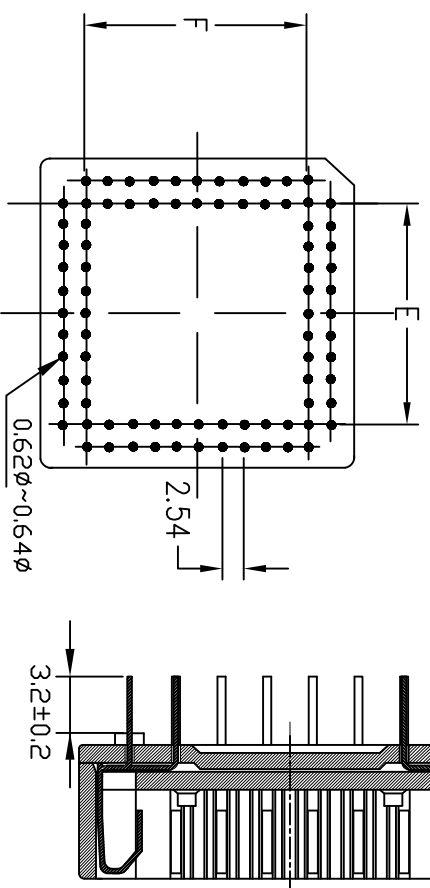
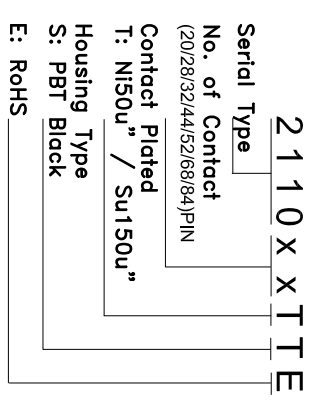


NO OF CONTACT	A±0.15	B±0.15	C±0.15	D±0.15	E±0.15	F±0.15
20 _{PBT}	15.50	15.50	5.08	5.08	5.08	5.08
28 _{PBT}	18.04	18.04	7.62	7.62	7.62	7.62
32 _{PBT}	18.04	20.54	7.62	10.16	7.62	10.16
44 _{PBT}	23.48	23.48	12.70	12.70	12.70	12.70
52 _{PBT}	25.88	25.88	15.24	15.24	15.24	15.24
68 _{PBT}	31.66	31.66	20.32	20.32	20.32	20.32
84 _{PBT}	36.66	36.66	25.40	25.40	25.40	25.40

Insulator Material:PBT & 30% Class Fiber (UL 94V-0)
 Contact Resistance:30m Ohm MAX at DC 100mA

Current Rating:1 AMP
 Dielectric Withstanding Voltage:AC 500V For 1 minute
 Temperature Rating:-55°C ~ + 85°C
 Contact Material:Phosphor Bronze
 RoHS

Order Information



易昕企業有限公司 LEAMAX ENTERPRISE CO., LTD.		TITLE PLCC DIP PBT TIN RoHS (20P/28P/32P/44P/52P/68P/84P)	
PROJ	SCALE : F	DO NOT SCALE DWG	
APP	CHEN	12-03-14	DWG NO.2110-TTE
CHK	HUANG	03-03-14	UNIT MM
DRW	SHIEH	04-09-01	SHT 1 OF 1
			REV. X2
			SIZE A4

1 2 3 4 5 6 7