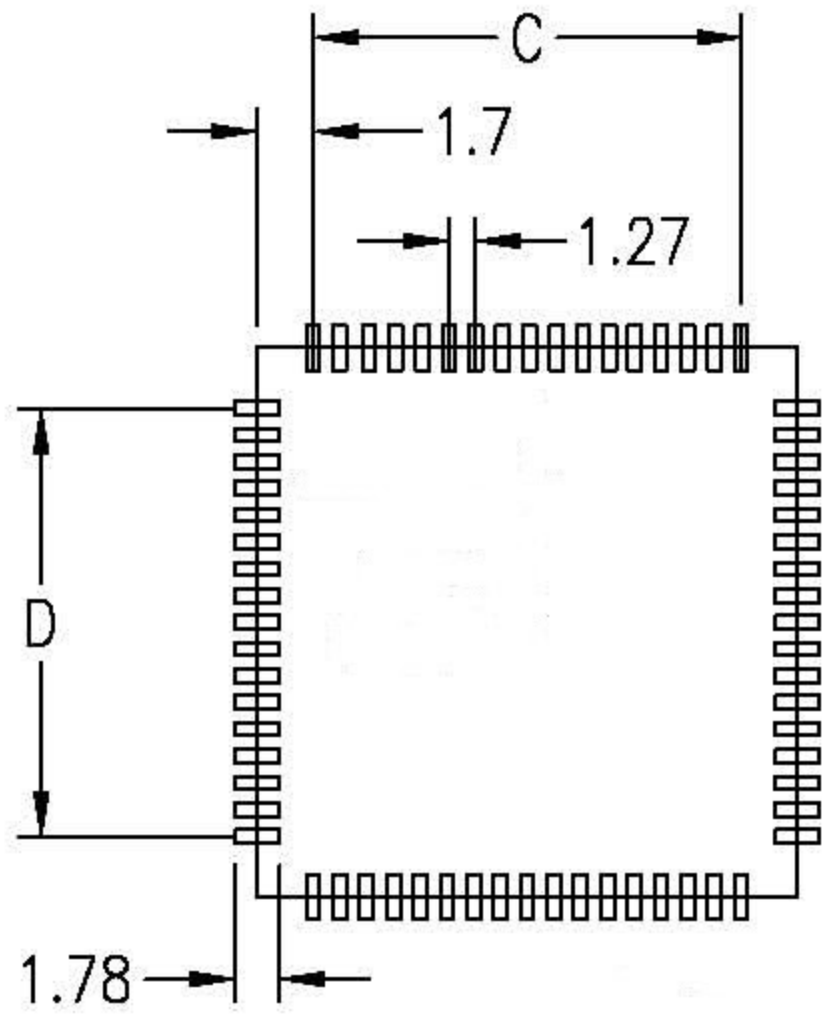
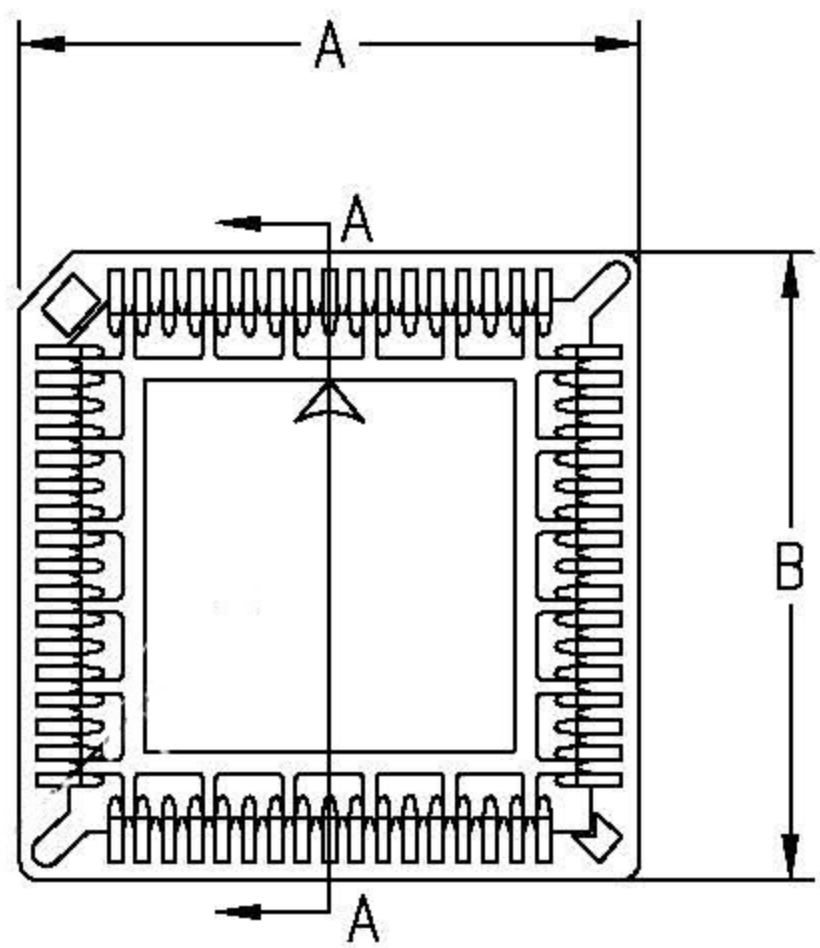


1 2 3 4 5 6 7

A
B
C
D
E

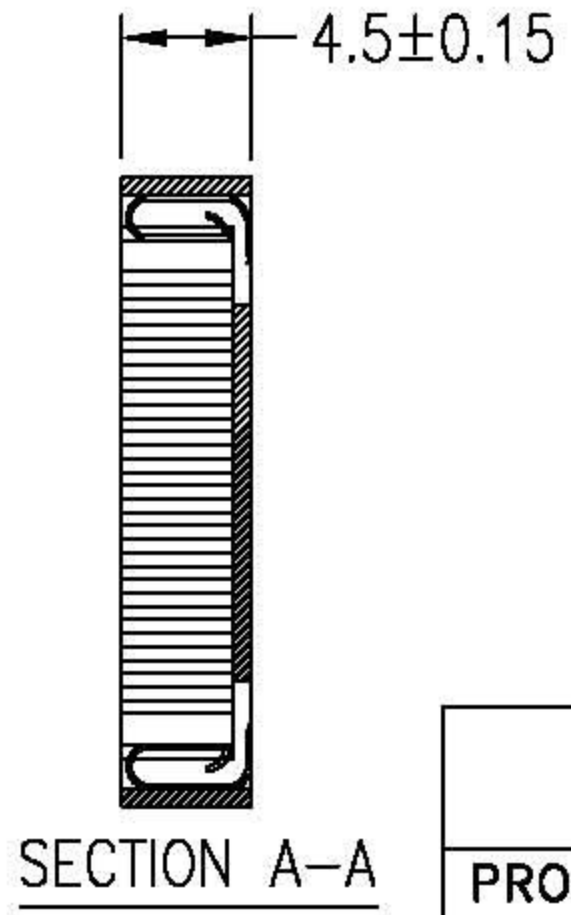
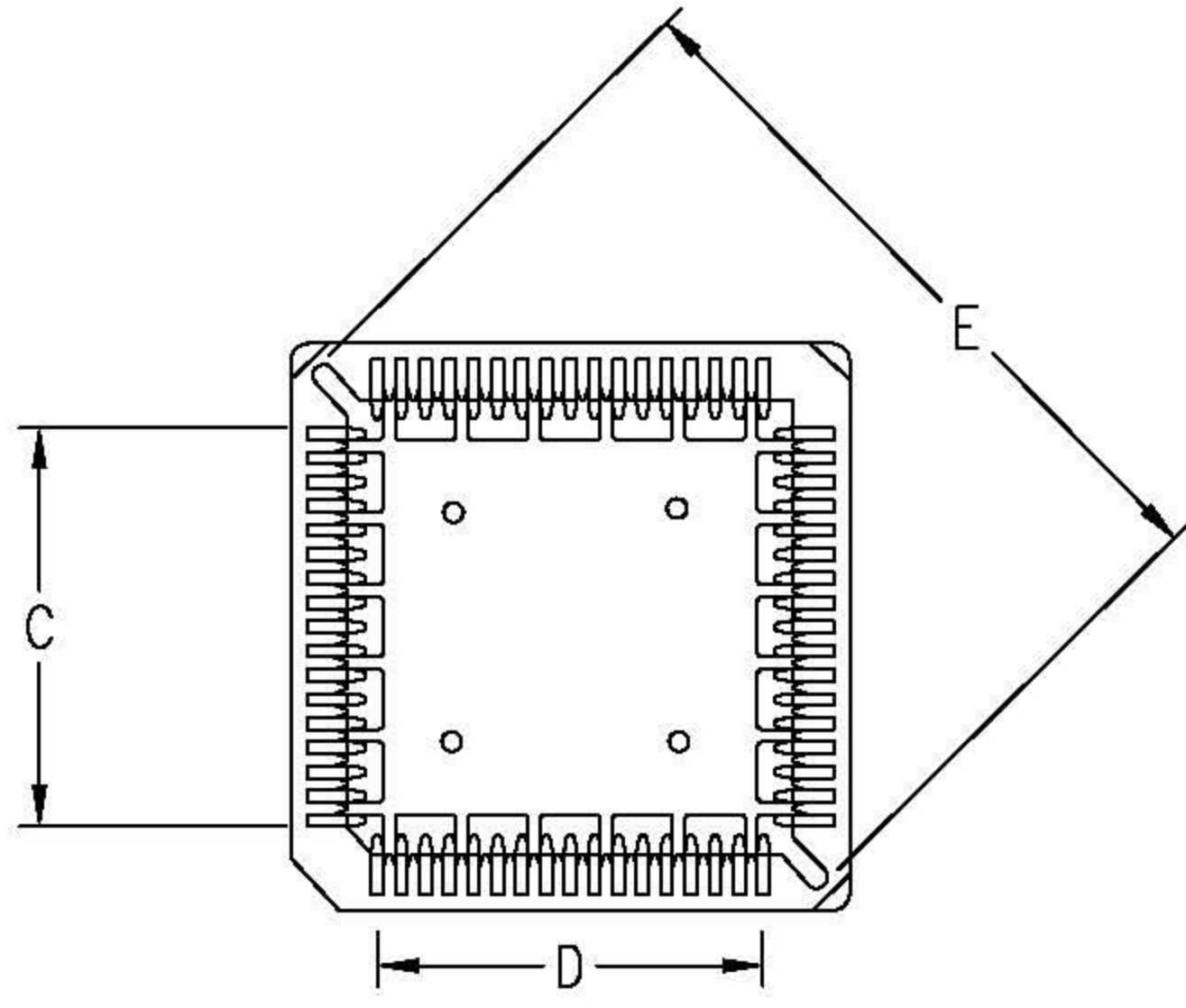
A
B
C
D
E




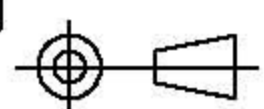
P.C.B LAYOUT

NO OF CONTACT	A±0.3	B±0.3	C±0.3	D±0.3	E±0.3
20	15.24	15.24	5.08	5.08	16.70
28	17.78	17.78	7.62	7.62	20.30
52	25.74	25.74	15.24	15.24	31.13
68	30.82	30.82	20.32	20.32	38.31
84	35.90	35.90	25.40	25.40	45.50

Insulator Material: PPS&40% Glass Fiber (UL 94-V0)
 Contact Resistance: 30MΩ Max at Dc 100ma
 Insulator Resistance: 1000MΩ Min at Dc 500V
 Current Rating: 1AMP
 Dielectric Withstand Voltage: AC 500V for 1 minute
 Temperature Rating: -55 deg C ~+ 105 deg C
 Contact Material: Phosphor Bronze



SECTION A-A

 易昕企業有限公司 LEAMAX ENTERPRISE CO., LED.					
PROJ		SCALE : F DO NOT SCALE DWG	MOLD NO 2111-E		
APP	James	100.09.06	MODEL	FILE NO	REV.
CHK	CCJ	89.11.30		without post	X 2
DGN	WU	89.11.30	UNIT	SHT 1 OF 1	SIZE
DRW	SHIEH	89.11.30	MM		A4

1 2 3 4 5 6 7