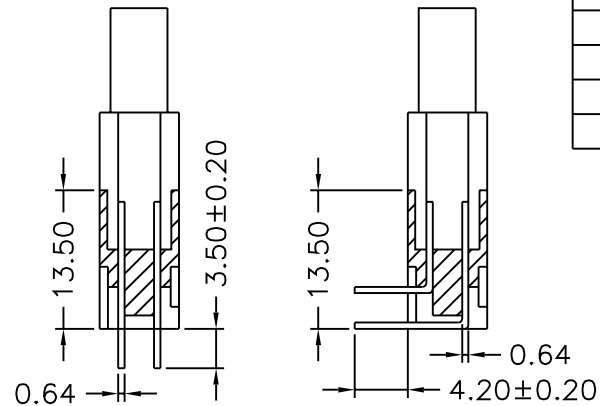
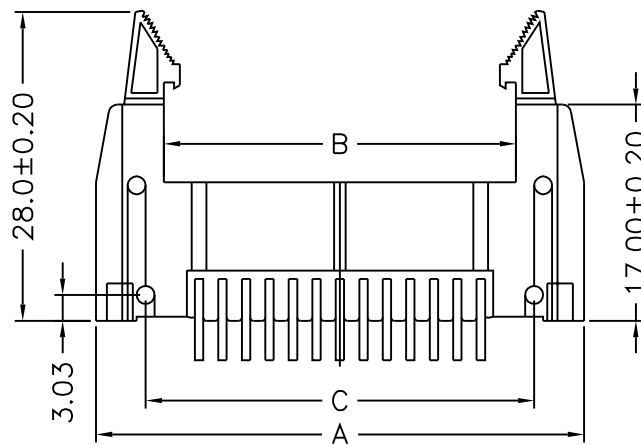


SHORT LEVER

LONG LEVER

CONTACTS	A	B	C	D
10	32.00	18.25	21.80	10.17
14	37.05	23.20	26.90	15.25
16	39.60	25.90	29.35	17.79
20	44.70	31.00	34.50	22.67
26	52.32	38.50	42.20	30.49
30	57.40	43.70	47.30	35.57
34	62.50	48.90	52.30	40.65
40	70.10	56.35	59.90	48.27
50	82.85	69.15	72.70	60.97
60	95.50	81.90	85.35	73.67
64	100.60	87.10	90.50	78.75



易昕企業有限公司
LEAMAX ENTERPRISE CO., LED.

PROJ		SCALE : F DO NOT SCALE DWG	MOLD NO 2171		
APP			MODEL	FILE NO	REV. X1
CHK	CCJ	91.09.19			
DGN	AMY	91.09.19	UNIT	SHT 1 OF 1	SIZE A4
DRW	SHIEH	91.09.19	MM		