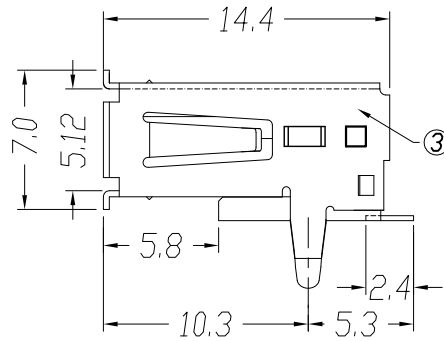
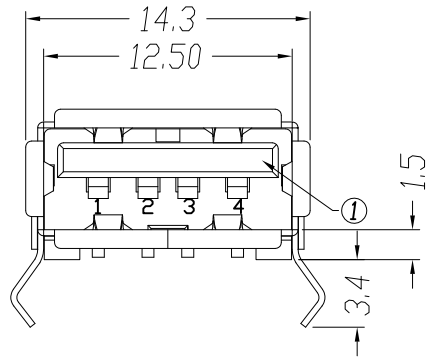


REV	ZONE	REVISION	DATE



Specification:

Contact Resistance: 30m Ohm Max.

Insulation Resistance: 1000M Ohm Min. At 500VDC.

Rated Voltage And Current: 1.5A At 250VAC Minimum.

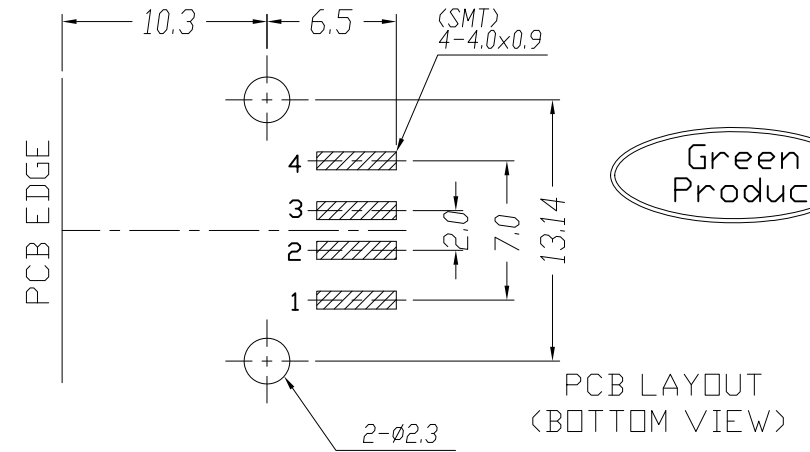
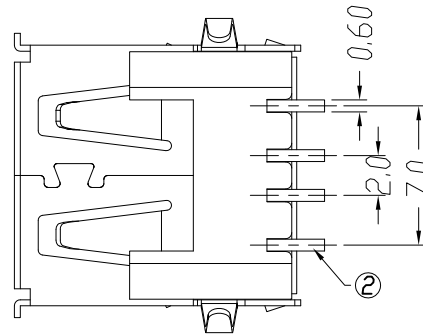
Dielectric Withstanding Voltage:

750V AC (rms) for 1 Minute(Rev. 1.1)

Durability (Life Test): 1500 Cycles

Insertion Force: 35 Newton Maximum.

Extraction Force: 10 Newton Minimum.



Order Information

Serial No. 3210-SMT-WxE-01Ux

Back Cover Type  
(At Bottom)

W1: With  
W0: Without

RoHS

Housing Color

W: WHITE  
B: BLACK

NO.	NAME	MATERIAL	FINISH	Q'TY	REMARK
1	HOUSING	NYLON PA9T G.F.	WHITE/BLACK	1	
2	TERMINAL	PHOS. BRONZE T:0.25	GOLD/TIN PLATED	4	Gold:1~3u"; Ni:40~60u"; TIN:120u" (100% pure Tin of lead free plating)
3	SHELL	BRASS T:0.3	NICKEL PLATED	1	Ni:80~120u"



易昕企業有限公司  
LEAMAX ENTERPRISE CO., LED.

Drawing No

3210-AS1

UNIT

mm

SCALE

1:1

TITLE

USB A TYPE FLAT 4PIN SMT

APPD.

JAMES  
10-09-13

CKD.

SHIRLEY  
01-03-13

DWG.

TINA  
15-09-10

DATE

15-09-10

TOLERANCE

X. ±0.38  
.X ±0.25  
.XX ±0.13  
.XXX ±0.05

PART NO.

3210-SMT-WxE-01Ux

REV.

A\_1

MODEL

3210-SMT-WxE-01Ux

PAGE 1 OF 1