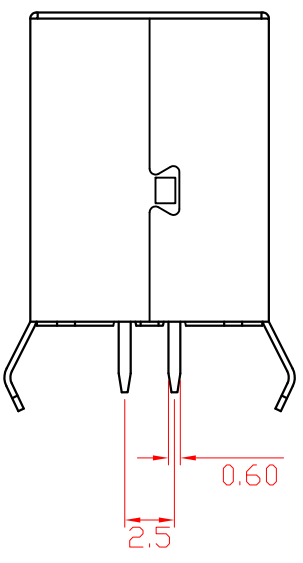
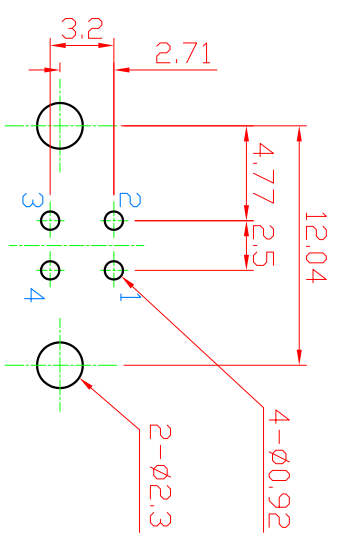
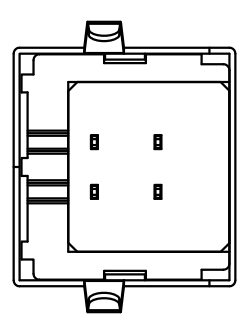
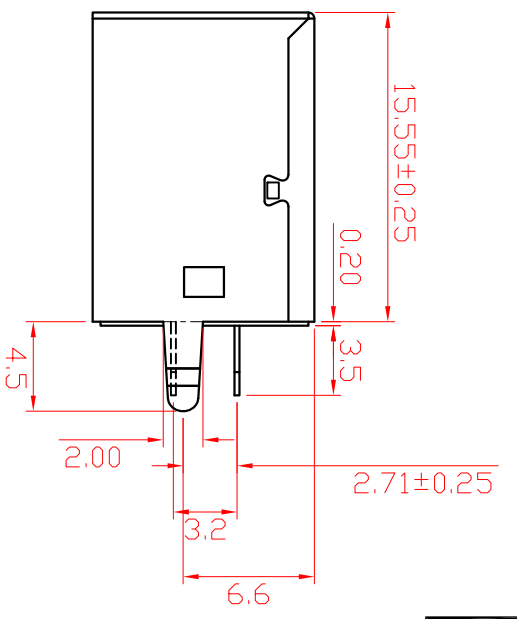
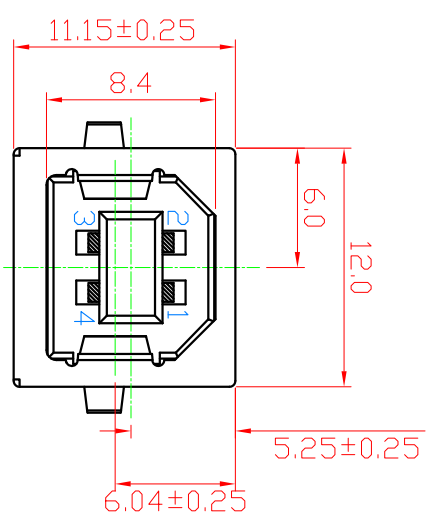


REV ZONE	REVISION	DATE



<COMPONENT SIDE>  
PCB LAYOUT

NO.	NAME	MATERIAL	FINISH	REMARK	Q'TY
1	HOUSING	PBT G.F.	WHITE		1
2	PIN TERM.	PHOS. BRONZE T:0.25	GOLD/TIN PLATED	Gold(30u" Ni(40~60u" TIN(20u" (100% pure Tin of lead free plating)	4
3	SHELL	BRASS T:0.3	NICKEL PLATED	NI:80~120u"	1
4	BOTTOM COVER	PBT G.F.	WHITE		1

**Specification:**  
 Contact Resistance: 30m Ohm Max.  
 Insulation Resistance: 1000M Ohm Min. At 500VDC.  
 Rated Voltage And Current: 1.5A At 250VAC Minimum.  
 Dielectric Withstanding Voltage:  
     500V AC (rms) for 1 Minute(Rev. 2.0)  
 Durability (Life Test): 1500 Cycles  
 Insertion Force: 35 Newton Maximum.  
 Extraction Force: 10 Newton Minimum.



易昕企業有限公司  
LEAMAX ENTERPRISE CO., LTD.

Drawing No	UNIT	SCALE	TITLE
3213-007	mm	1:1	USB B TYPE FLAT 4 PIN DIP

MODEL	PAGE	APPD.	CKD.	DWG.	DATE	TOLERANCE	PART NO.	REV.
3213-VWE-30UW	1 OF 1	JAMES 10-09-13	SHIRLEY 05-03-12	TINA 21-05-10	21-05-10	X: ±0.38 X: ±0.25 XX ±0.13 XXX ±0.05	3213-VWE-30UW	A0