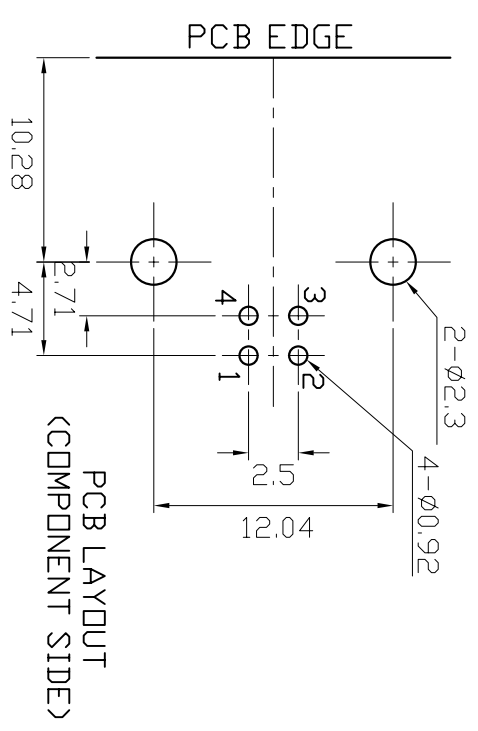
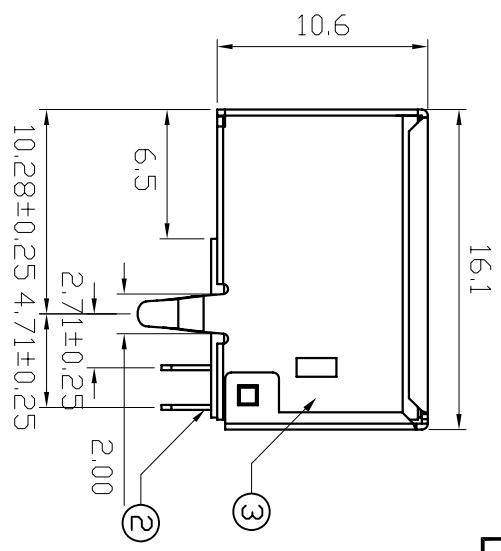
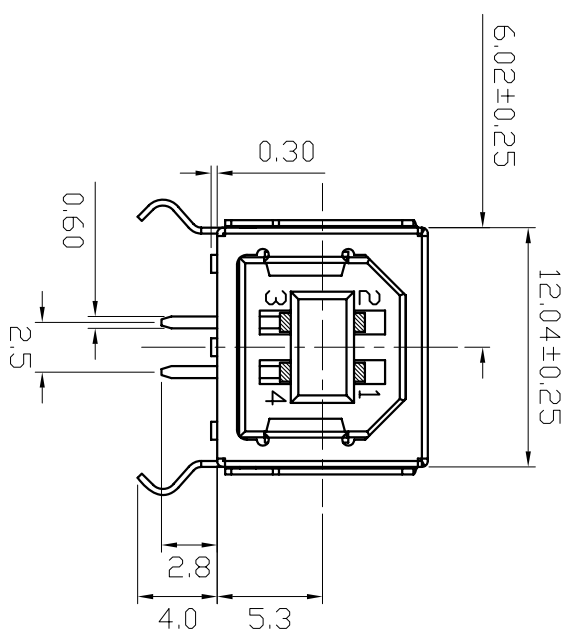


REV	ZONE	REVISION	DATE



Order Information

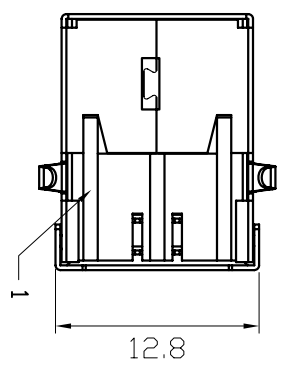
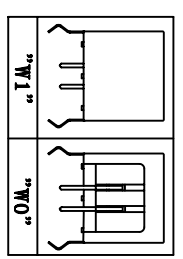
Serial No. 3 2 1 3 - W X B C E - 0 1 U X

TYPE
W0: WITHOUT
W1: WITH

Housing Color
B: BLACK
W: WHITE

Rolls _____

TYPE



Specification:
Contact Resistance: 30m Ohm Max.
Insulation Resistance: 1000M Ohm Min. At 500VDC.
Rated Voltage And Current: 1.5A At 250VAC Minimum.
Dielectric Withstanding Voltage:
750V AC (rms) for 1 Minute(Rev. 1.1)
Durability (Life Test): 1500 Cycles
Insertion Force: 35 Newton Maximum.
Extraction Force: 10 Newton Minimum.

NO.	NAME	MATERIAL	FINISH	REMARK	Q'TY
1	HOUSING	PBT G.F.	WHITE / BLACK		1
2	PIN TERM.	PHOS. BRONZE T1.0/25	GOLD/TIN PLATED	Gold-3μ' NiPd-60μ' TIN120μ' (100% pure Tin or lead free plating)	4
3	SHELL	BRASS T1.0/3	NICKEL PLATED	NI:80~120μ'	1



易昕企業有限公司
LEAMAX ENTERPRISE CO., LTD.

Drawing No

3213-008

UNIT

mm

SCALE

1:1

TITLE

USB B TYPE FLAT 4 PIN DIP

MODEL

3213-WXBCE-01Ux

PAGE 1 OF 1

APPD.

JAMES
01-03-13

CKD.

SHIRLEY
05-02-12

DWG.

TINA
05-03-10

DATE

05-03-10

TOLERANCE

X: ±0.38
X: ±0.25
XX: ±0.13
XXX: ±0.05

PART NO.

3213-WXBCE-01Ux

REV.

A0