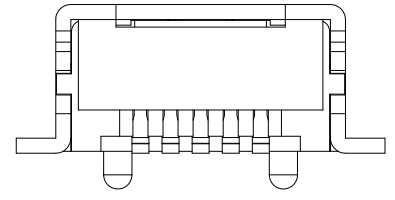
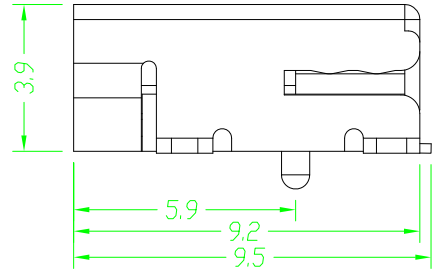
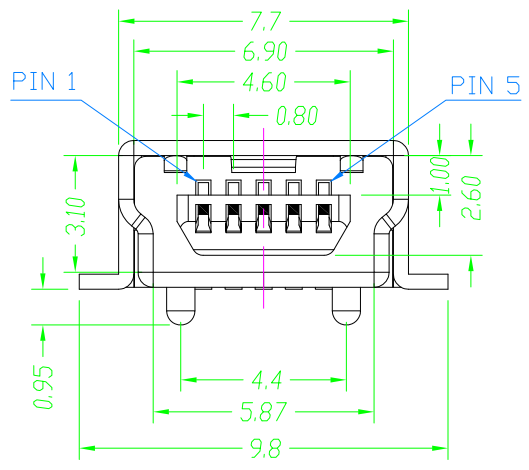
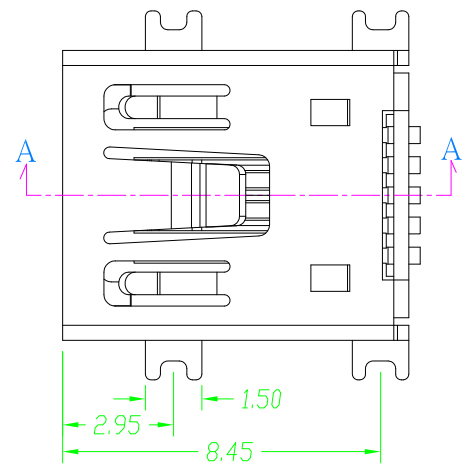
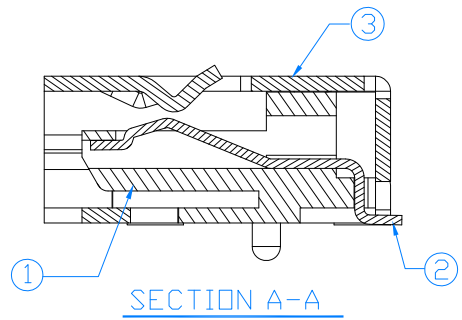
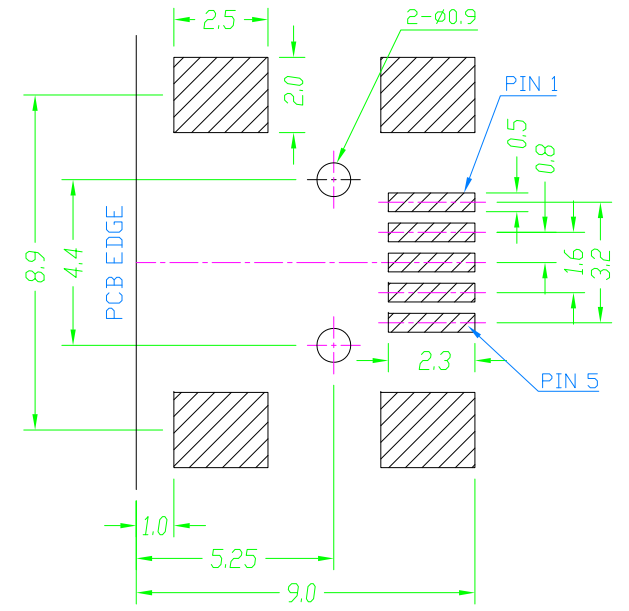


REV	ZONE	REVISION	DATE

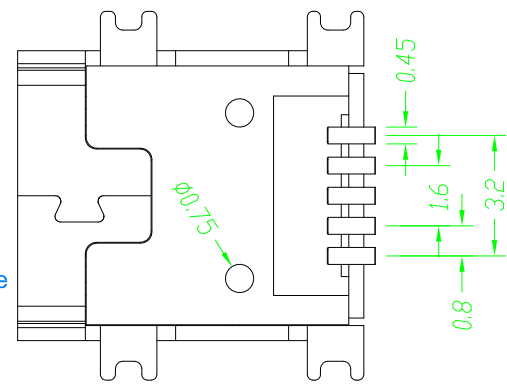


**Green Product**



RECOMMENDED PCB PATTERN LAYOUT  
(PCB THICKNESS:0.8±0.1)

**Specification:**  
 Contact Resistance: 50m Ohm. Max.  
 Insulation Resistance: 100M Ohm Min. At 500VDC.  
 Rated Voltage And Current: 1A At 30VAC Minimum.  
 Dielectric Withstanding Voltage: 100V AC for 1 Minute  
 Durability (Life Test): 1500 Cycles  
 Insertion Force: 35 Newton Maximum.  
 Extraction Force: 7 Newton Minimum.



NO.	NAME	MATERIAL	FINISH	Q'TY	REMARK
1	HOUSING	NYLON PA9T G.F	BLACK	1	
2	PIN TERM.	PBS T:0.25	GOLD/TIN PLATED	5	Gold: 30u" NI: 40~60u" TIN: 120u" (100% pure Tin of lead free plating)
3	SHELL	BRASS T:0.4	NICKEL PLATED	1	Ni: 80~120u"



易昕企業有限公司  
LEAMAX ENTERPRISE CO., LED.

Drawing No

3213-012

UNIT

mm

SCALE

1:1

TITLE

USB MINI B CONNECTOR  
CONTACT-SMT,SHIELD-SMT

APPD.

JAMES  
12-09-13

CKD.

SHIRLEY  
12-09-13

DWG.

TINA  
19-12-07

DATE

19-12-07

TOLERANCE

X. ±0.38  
.X ±0.25  
.XX ±0.13  
.XXX ±0.05

PART NO.

3213-BS1E-30UB

REV.

A0

MODEL

3213-BS1E-30UB

PAGE 1 OF 1