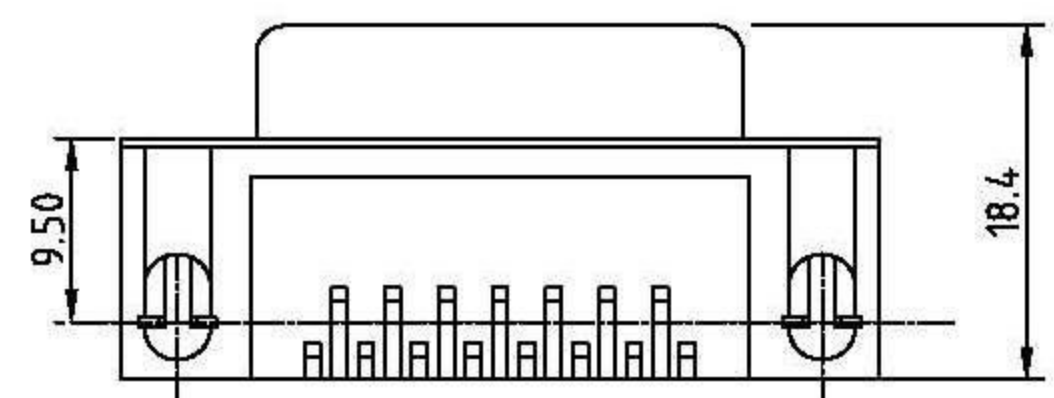
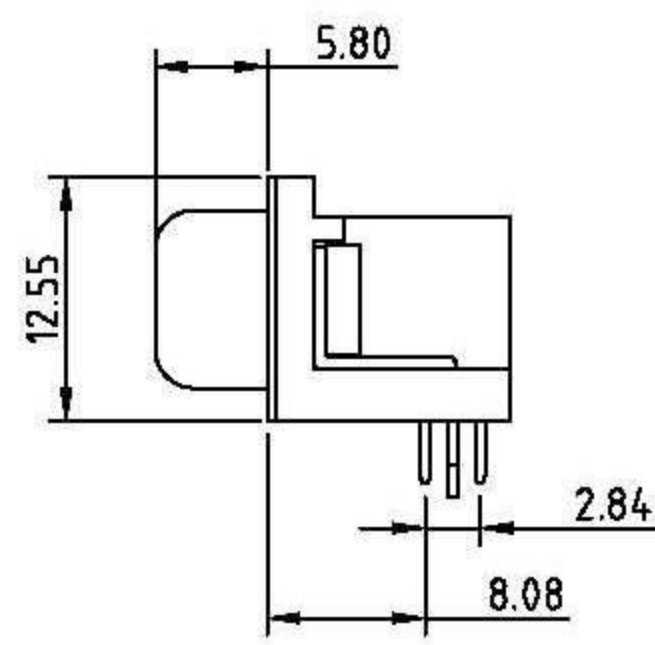
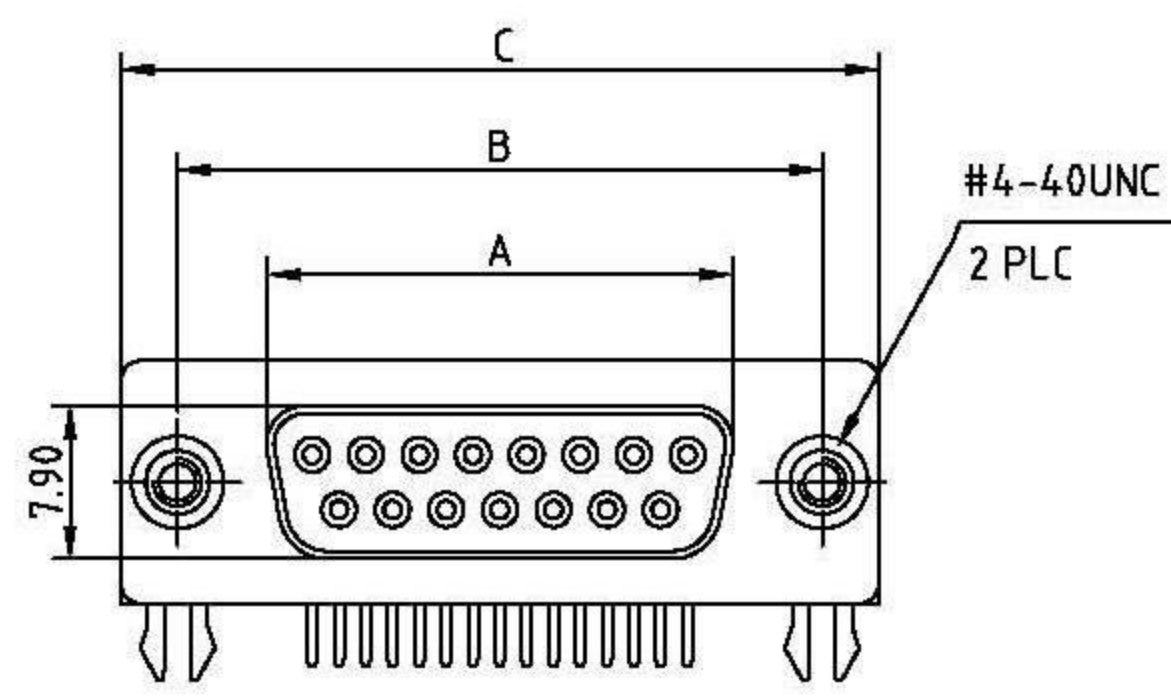
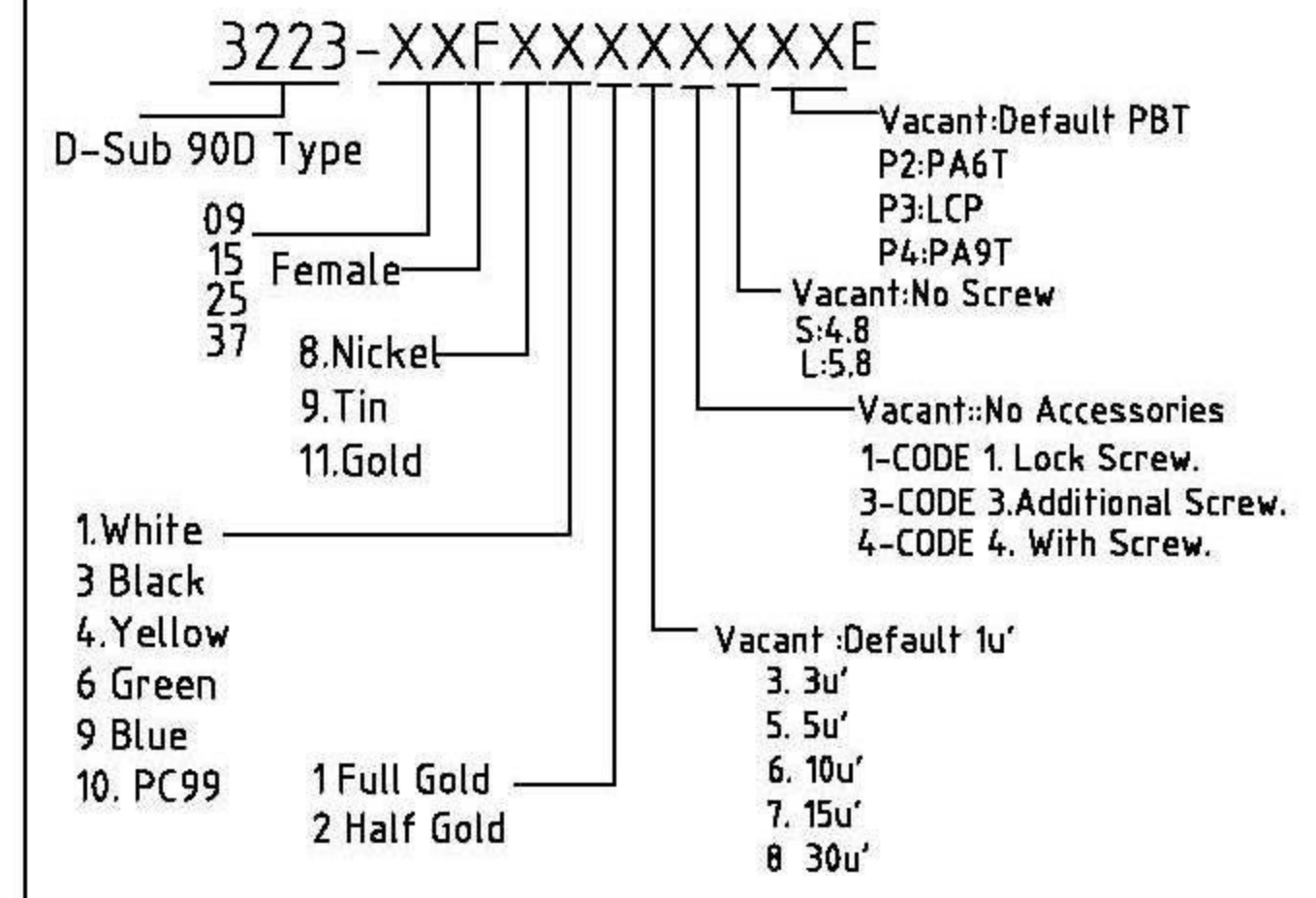


| | | | | |
|-------|--|------|-----------|---------|
| RevNo | | Date | Signature | Checked |
| | | | | |



Note

| No. | A | B | C |
|-----|-------|-------|-------|
| 09 | 16.33 | 24.99 | 30.81 |
| 15 | 24.66 | 33.32 | 39.14 |
| 25 | 38.38 | 47.04 | 53.04 |
| 37 | 54.83 | 63.50 | 69.32 |

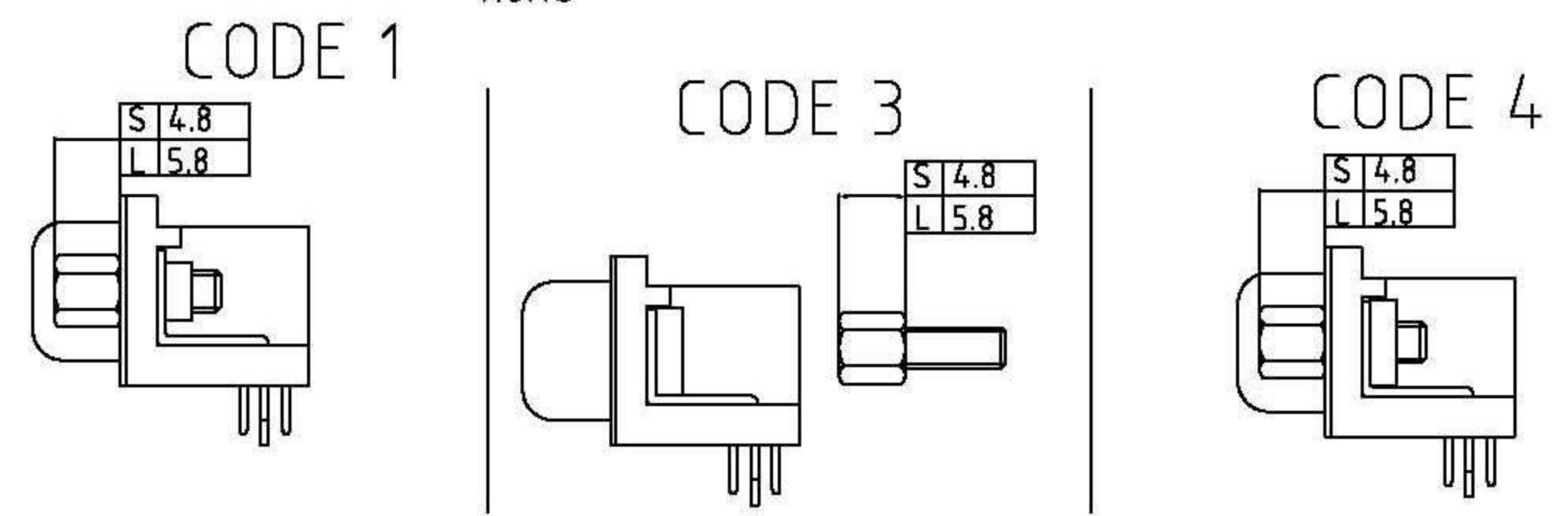
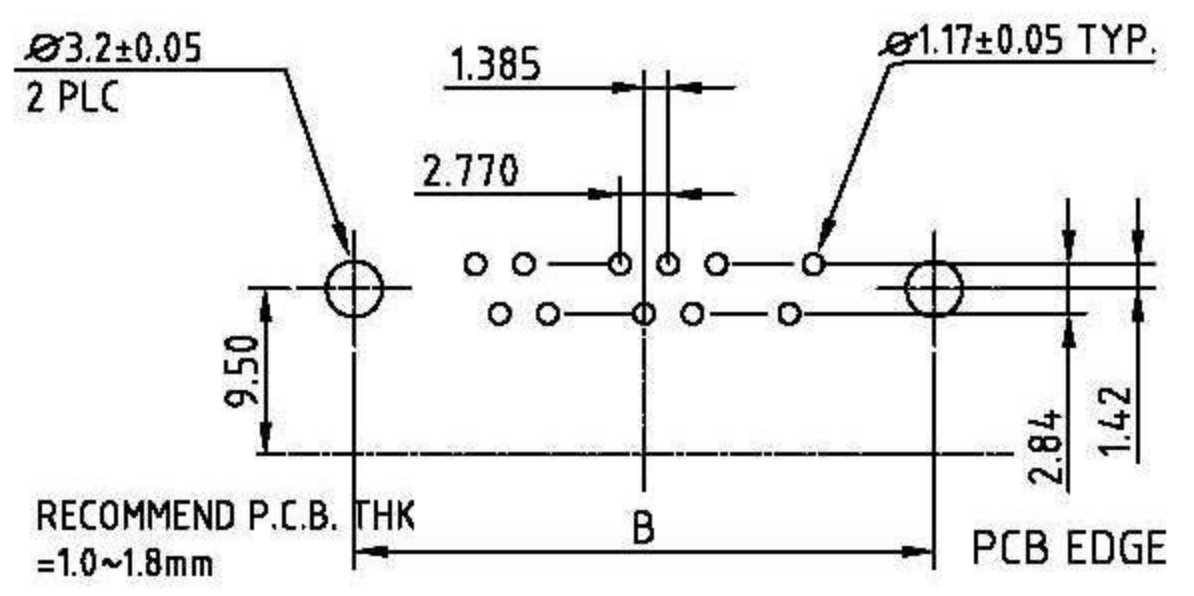


Electrical Characteristics:

Contact Current Rating:3Amperes.
Dielectric Withstanding Voltage:AC 500V at sea level.
Insulation Resistance:1000Megohm Min.
Contact Resistance:30Milliohm Max.
Operation Temperature : -55°C to +105°C.

Material:

Contact :Copper Alloy.
Insulator:PBT. [Select PA6T /LCP /PA9T]
Shell: SPCC.
Z-Piece: Fe.
Screw: Copper Alloy.
Rivet: Copper Alloy. or Zinc.
RoHS



| | | | | | | | | |
|----------|------------|---------|------------|-------|----|-----------|--------------------------------------|----------|
| DRAW.BY | LinHaiFong | DATE | 2011.07.28 | UNIT | MM | TOLERANCE | .X ±0.30 .XX ±0.25 .XXX ±0.150 | Ang. ±2° |
| APPVL.BY | Shirley | VERSION | A | SCALE | | | | |



| | |
|------------|---------------------------|
| ITEM | D-SUB Female 90D-DIP /7.2 |
| PART No. | |
| Drawing NO | 3223-001 |