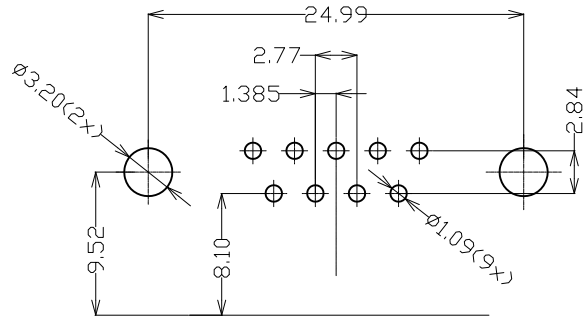
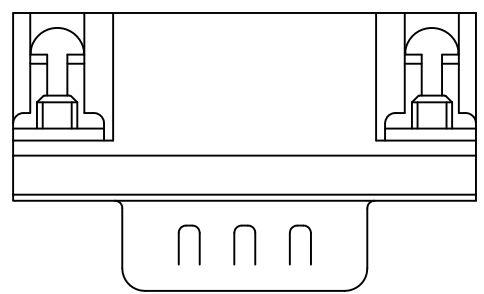
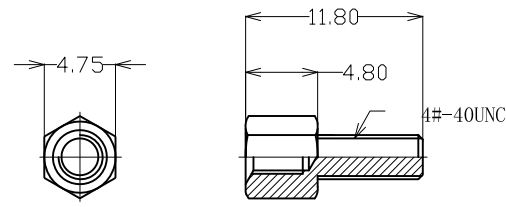
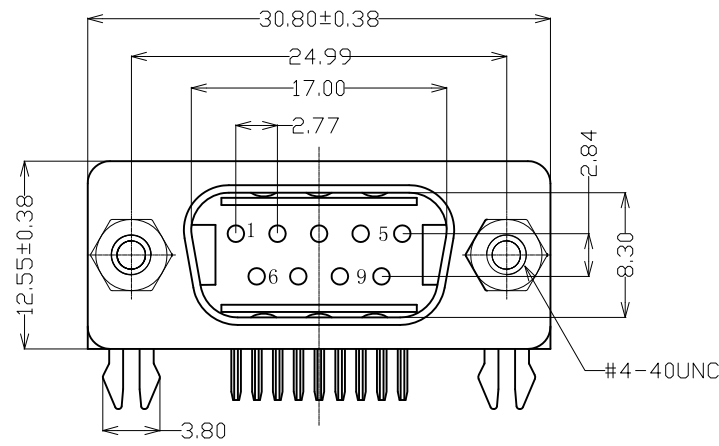


REV.	NOTES	DATE
A	RELEASED	23-09-17



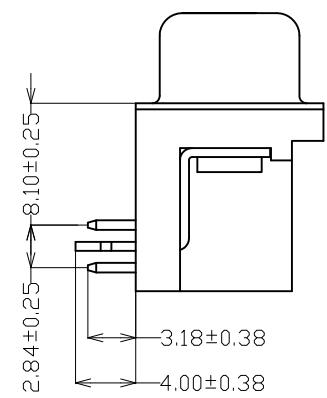
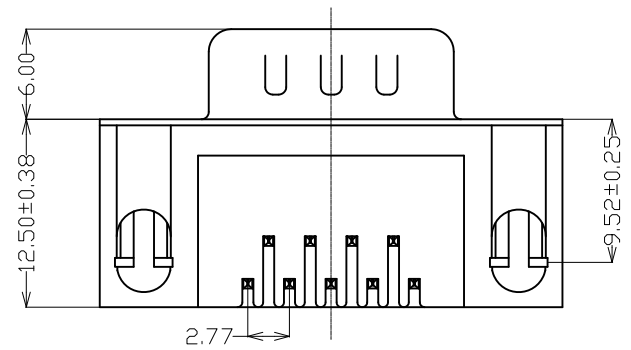
P.C.B. LAYOUT
TOP VIEW (TOLERANCE: ±0.05)

- NOTES:
- MATERIAL
 - Insulator: PBT+30% Glass Fiber black
 - Contact: Brass, Gold Flash On Contact Area And Plated Matte Tin Above Nickel Plating All Over.
 - Shell: SPCC, Plated Nickel
 - Screw: Brass, Plated Nickel
 - Board Lock: SPCC, Plated Nickel
 - SPECIFICATION
 - Current Rate: 3Amps
 - Insulator Resistance: 1000MΩ Min.
 - Dielectric Strength: 500V AC PER MIN
 - Operation Temperature: -40°C ~ +85°C
 - Contact Resistance: 30mΩ Max



Order Information
3223-09RPBxHE

- R: RIGHT ANGLE
- TYPE
- P: MALE
- Housing
- B: BLACK PBT
- RoHS
- Contact Plating
- H: Gold/Tin Plated
- MOUNTING OPTION:
 - 2: CODE2 THROUGH HOLE WITH BOARD LOCK
 - 3: CODE3 RIVETED THREAD INSERT WITH BOARD LOCK
 - 4: CODE4 HEX LOCKING SCREW WITH RIVETED THREAD INSERT & BOARD LOCK



DIMENSIONS TOLERANCE

METRIC

.0= ±.38

.00= ±.25

.000= ±.15

.0000= ±

ANG. = ±2°

UNITS	mm	易昕企業有限公司 LEAMAX ENTERPRISE CO., LED.			
QTY	N/A				
MT'L	SEE NOTE	TITLE			
FINISH	SEE NOTE	DR 9 公半金黑 8.1 RoHS			
APP	Chen 11-10-17	DWG NO. 3223-PA2			
CHK	Huang 27-09-17	PN: 3223-09RPBxHE			
DRW	Wang 29-12-11	SCALE: 1/1	SIZE: A4	SHEET: 1	REV. A1