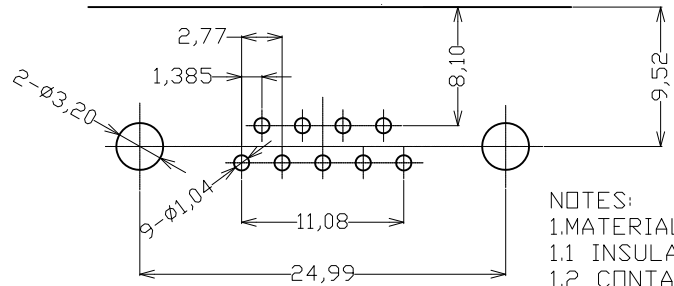
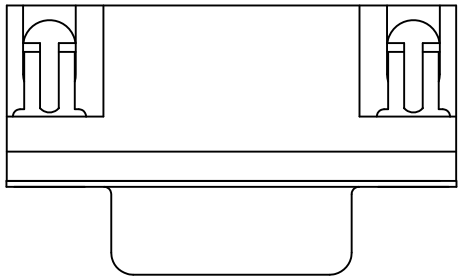
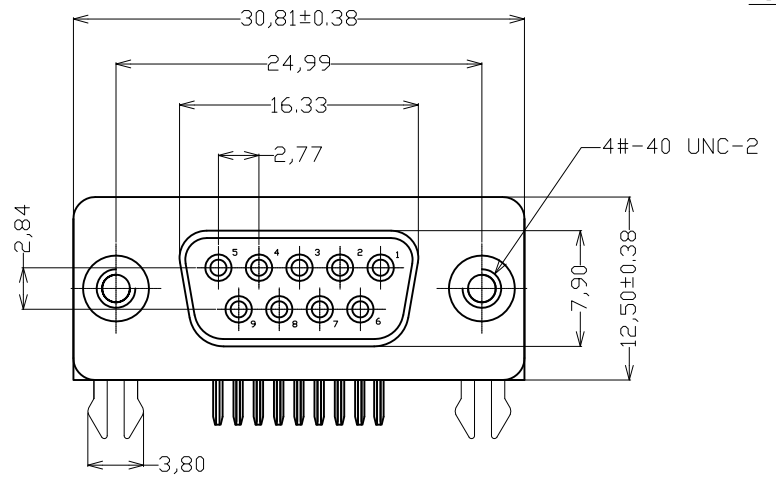


REV.	NOTES	DATE
A	RELEASED	27-09-17



NOTES:  
 1.MATERIAL  
 1.1 INSULATOR:PBT+30%Glass Fiber  
 1.2 CONTACT BRASS  
 1.3 CONTACT PLATED:GOLD/TIN PLATED  
 1.4 SHELL:STEEL,NICKEL PLATED

2.SPECIFICATION  
 2.1 CURRENT RATE:5 AMPS  
 2.2 INSULATOR RESISTANCE: 1000M Min AT 500V DC  
 2.3 DIELECTRIC STRENGTH: 1000V PER MINUTE  
 2.4 OPERATION TEMPERATURE:-40°C TO +85°C



### Order Information

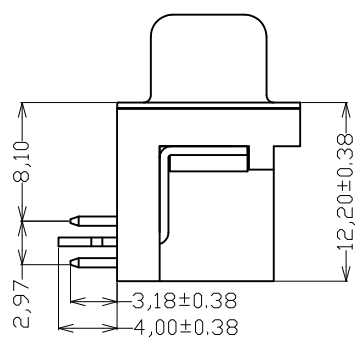
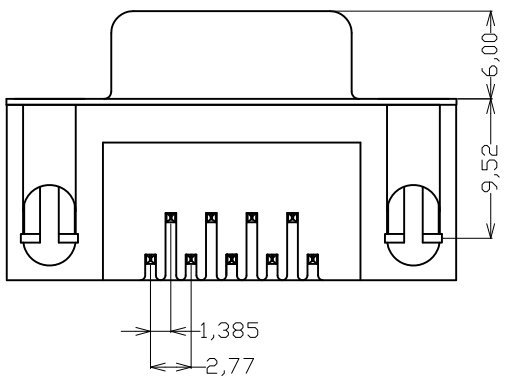
3223-09RSBxHE

RoHS  
 Contact Plating  
 H: Gold/Tin Plated

MOUNTING OPTION:  
 2:CODE2 THROUGH HOLE WITH BOARD LOCK  
 3:CODE3 RIVETED THREAD INSERT WITH BOARD LOCK  
 4:CODE4 HEX LOCKING SCREW WITH RUVETED THREAD INSERT & BOARD LOCK

R:RIGHT ANGLE  
 TYPE  
 S:FEMALE

Housing  
 B:BLACK PBT



DIMENSIONS TOLERANCE  
 METRIC  
 .0= ± .38  
 .00= ± .25  
 .000= ± .15  
 .0000= ± .075  
 ANG.= ± 2°

UNITS	mm	易昕企业有限公司 LEAMAX ENTERPRISE CO., LTD.
QT' Y	N/A	
MT' L	SEE NOTE	TITLE
FINISH	SEE NOTE	DR 9 母半金黑 8.1 RoHS
APP	Chen 11-10-17	DWG NO. 3223-SA2
CHK	Huang 23-09-17	PN: 3223-09RSBxHE
DRW	Wang 29-12-11	SCALE: 1/1
		SIZE : A4
		SHEET : 1
		REV. A1