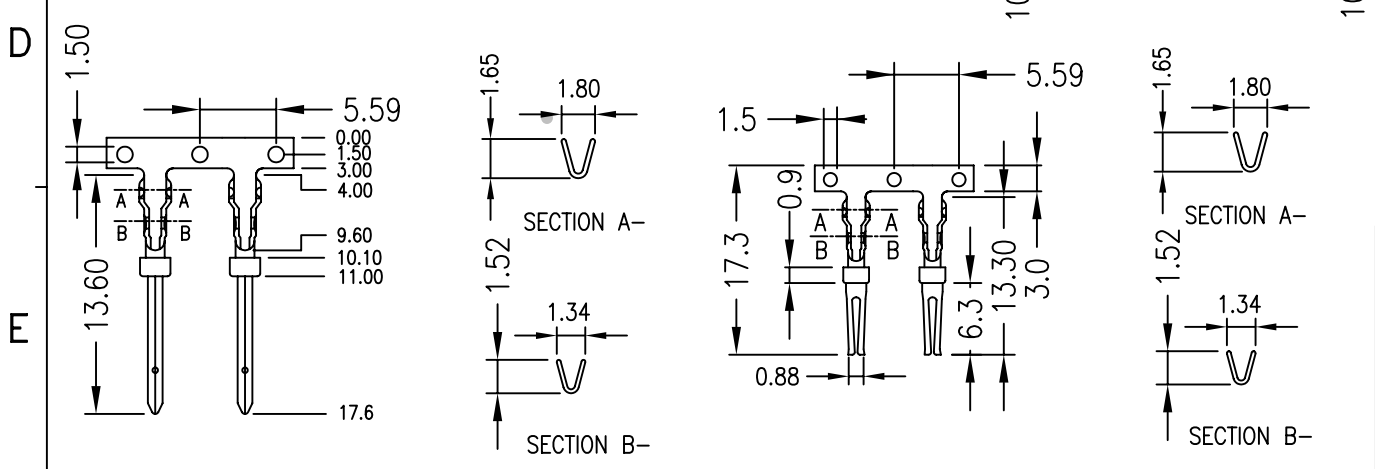
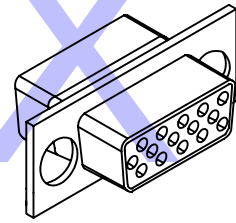
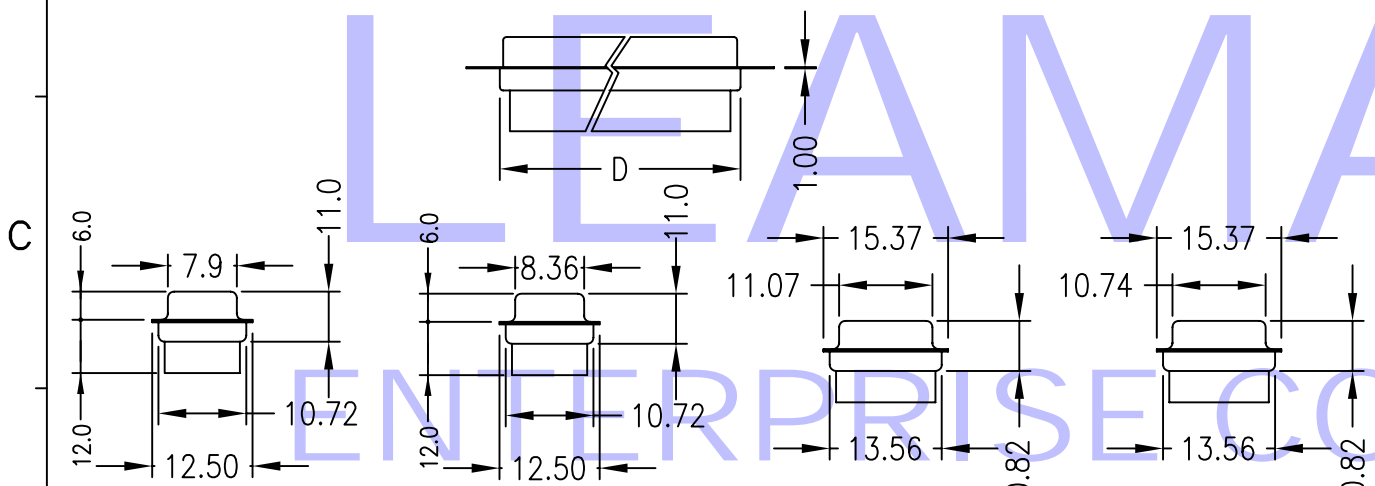

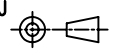


	A	B	C	D	F
Positions	±0.25 (0.010)	±0.13 (0.005)	±0.38 (0.015)	±0.25 (0.010)	±0.25 (0.010)
15	16.92 0.666	24.99 0.984	30.81 1.213	19.28 0.759	16.33 0.643
26	25.25 0.994	33.32 1.312	39.14 1.541	27.65 1.089	24.66 0.971
44	38.96 1.534	47.04 1.852	53.04 2.088	41.30 1.626	38.38 1.511
62	55.42 2.182	63.50 2.500	69.32 2.729	57.43 2.261	54.84 2.159
78	52.81 2.080	61.11 2.406	66.93 2.635	55.32 2.178	52.43 2.064



SPECIFICATIONS
 Shell: Steel, Tin-plated
 Insulator :PBT+30% glass fiber , UL 94V-0
 Contact : Brass or Phosphor bronze
 Current rating (Max) : 3 amp AC / DC
 Withstanding voltage : 1000 VAC
 Insulation resistance (Min.):1000MΩ
 Contact resistance (Max):30MΩ
 Operating temperature : -55°C~+105°C

 易昕企業有限公司 LEAMAX ENTERPRISE CO., LTED.					
PROJ		SCALE : F DO NOT SCALE DWG	MOLD NO	3226	
APP		92.11.17	MODEL	FILE NO	REV.
CHK	CCJ	89.11.01		CODE 1	X1
DGN	WU	89.11.01	UNIT		SIZE
DRW	SHIEH	89.11.01	MM	SHT 1 OF 1	A4