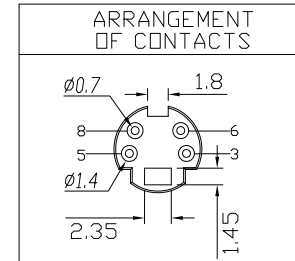
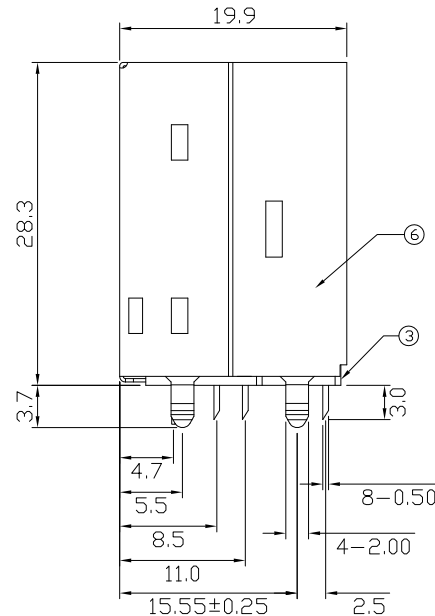
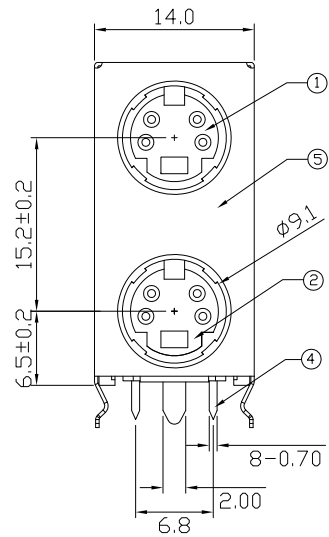
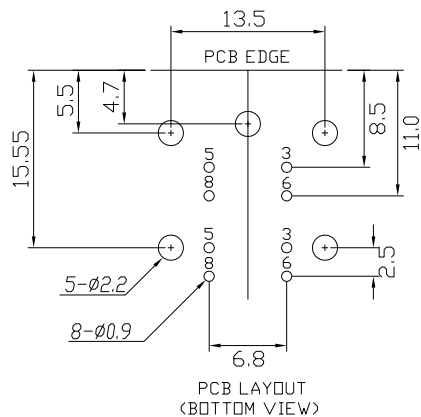


REV	ZONE	REVISION	DATE



Specification:

- Contact Resistance: 30m Ohm Max.
- Insulation Resistance: 100M Ohm Min. AT 500V DC
- Rated Voltage And Current: DC12V.2A Max; AC 100V.1A Max
- Dielectric Withstanding Voltage: 250V AC For 1 Minute
- Durability (Life Test): 100 Cycles
- Insertion Force: 4.0KG Maximum.
- Extraction Force: 0.9KG Minimum.



NO.	NAME	MATERIAL	FINISH	REMARK	Q'TY
1	TOP HOUSING	PBT G.F.	BLACK		1
2	BOTTOM HOUSING	PBT G.F.	BLACK		1
3	BACK COVER	PBT G.F.	BLACK		1
4	CONTACT TERM.	PHOS. BRONZE T:0.2	GOLD/TIN PLATED	Gold:1~3u"; NI:40~60u"; TIN:120u" (100% pure Tin of lead free plating)	8
5	FRONT SHIELD	BRASS T:0.3	TIN PLATED	TIN:120~200u"	1
6	BACK SHIELD	BRASS T:0.3	TIN PLATED	TIN:120~200u"	1



易昕企業有限公司
LEAMAX ENTERPRISE CO.,LTD.

Drawing No

3260-002

UNIT

mm

SCALE

1:1

TITLE

MINI DIN JACK DUAL

APPD.

JAMES
08-04-16

CKD.

SHIRLEY
02-11-15

DWG.

TINA
23-04-10

DATE

23-04-10

TOLERANCE

X. ±0.38
.X ±0.25
.XX ±0.13
.XXX ±0.05

PART NO.

3260-04AF

REV.

A3

MODEL

3260-04AF

PAGE 1 OF 1