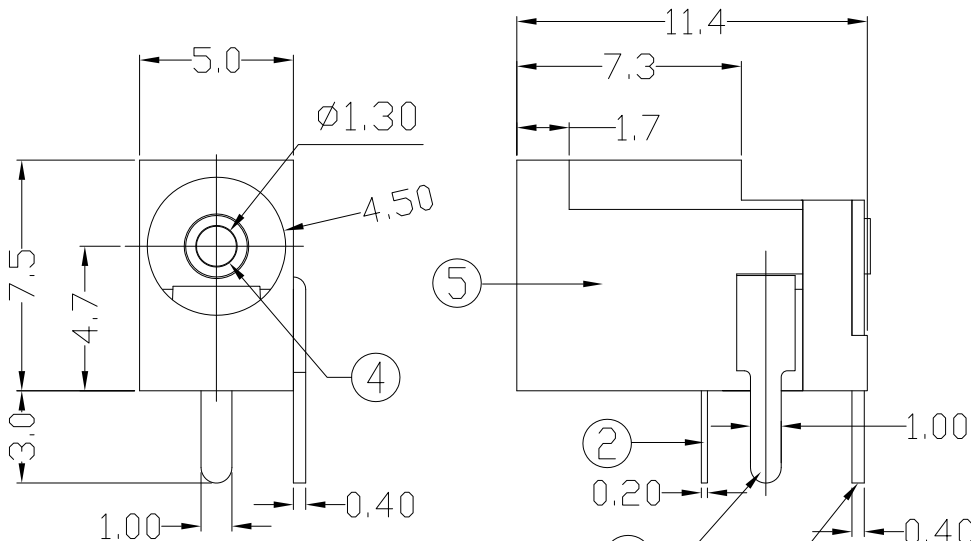
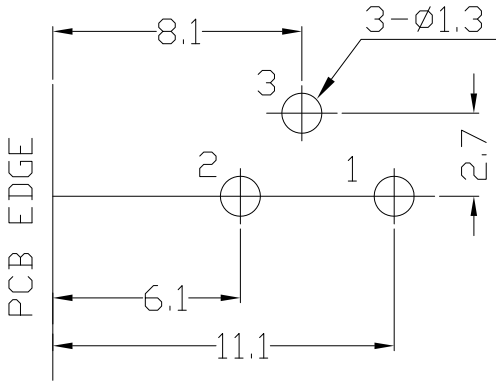
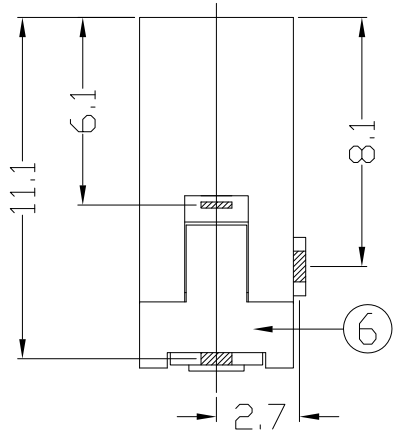


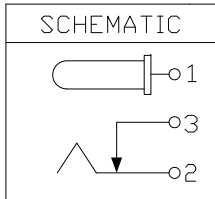
REV	ZONE	REVISION	DATE



NO.	NAME	MATERIAL	FINISH	Q'TY
1	PIN TERM.	BRASS 0.4	TIN PLATED	1
2	SLEEVE TREM.	P.B.S 0.2	TIN PLATED	1
3	BREAK TERM.	BRASS 0.4	TIN PLATED	1
4	CENTER PIN	BRASS ϕ 1.3	NICKEL PLATED	1
5	HOUSING	PBT G.F.	BLACK	1
6	BACK COVER	PBT G.F.	BLACK	1



Green Product



Specification:
 Contact Resistance: 30m Ohm Max. At AC 100mA Max 1KHz
 Insulation Resistance: 100M Ohm Min. At 500V DC
 Rated Voltage And Current: DC12V. 2A Max; AC 100V. 1A Max
 Dielectric Withstanding Voltage: 500V AC for 1 Minute
 Insertion Force: 3.0Kg Maximum.
 Extraction Force: 0.3Kg Minimum.



易昕企業有限公司
 LEAMAX ENTERPRISE CO., LED.

Drawing No			UNIT	SCALE	TITLE	
3272-001			mm	1:1	DC POWER JACK	
APPD.	CKD.	DWG.	DATE	TOLERANCE	PART NO.	REV.
JAMES 27-04-16	SHIRLEY 01-06-12	TINA 30-12-08	30-12-08	X. ±0.38 .X ±0.25 .XX ±0.13 .XXX ±0.05	32723PBE	A0

MODEL 32723PBE PAGE 1 OF 1