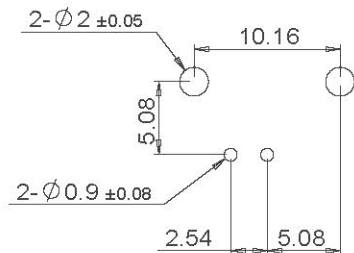
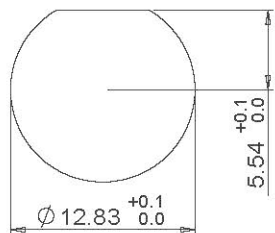


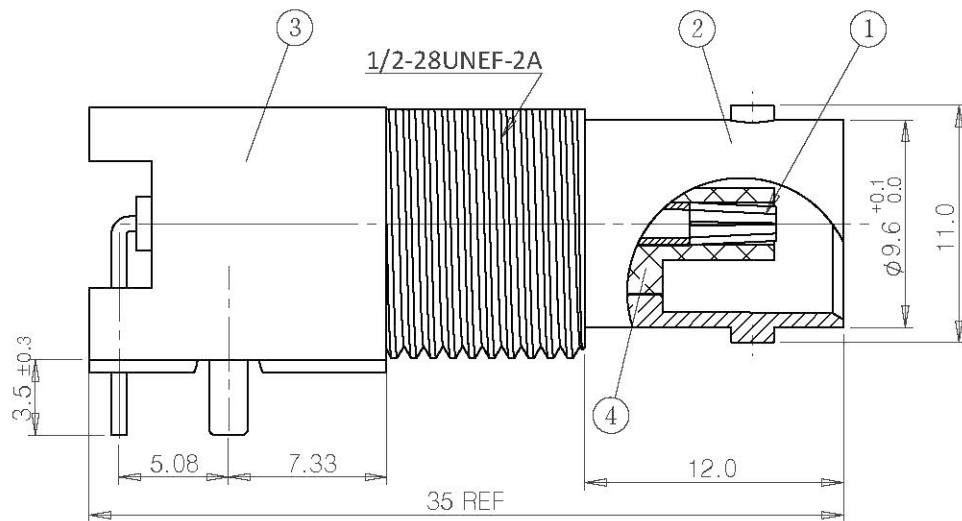
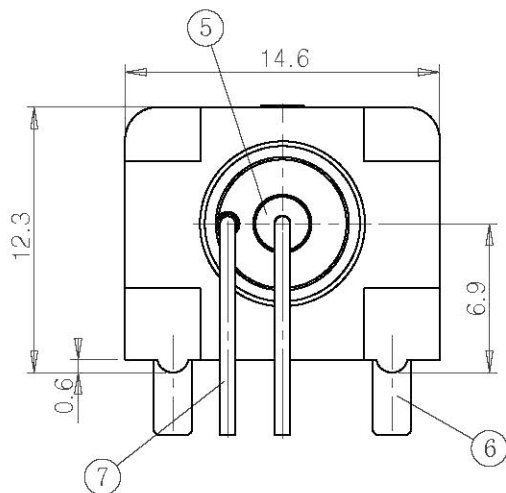
REV	ECO	DESCRIPTION	DRAW	DATE
A	BC12060058	尺寸重新校驗發行	ELAINA	21-06-12



RECOMMEND PCB BOARD LAYOUT
WITHOUT MOUNTING POSTS

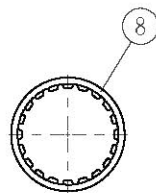


RECOMMENDED MOUNTING HOLE
MAXIMUM PANEL THICKNESS: 5.5mm

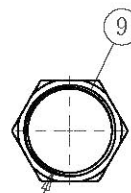


MATERIAL & FINISH

- 1.CENTER CONTACT : PHOSPHOR BRONZE, GOLD PLATING
- 2.BODY : ZINC ALLOY, NICKEL PLATING
- 3.HOUSING : PBT (94 V-0), WHITE
- 4&5. INSULATOR : PE-606
- 6.MOUNTING POST : BRASS, TIN PLATING
- 7.SOLDER TALL: COPPER WIRE, TIN PLATING
- 8.WASHER : STEEL, NICKEL PLATING
- 9.NUT : BRASS, NICKEL PLATING



LOCK WASHER
SCALE: 1/1



CLAMP NUT
SCALE: 1/1

PART NUMBER 3280A750	DWG. ELAINA	DATE 18-04-12	易昕企業有限公司 LEAMAX ENTERPRISE CO., LTD.
MATERIAL SEE NOTE	CKD. Huang	DATE 02-05-16	
FINSH SEE NOTE	APPD. James	DATE 10-01-17	
THIRD ANGLE PROJECTION			UNLESS OTHERWISE SPECIFIED: DIMENSIONS ARE IN MM TOLERANCES ARE: X ± 0.5 XX ± 0.3 XXX ± 0.2 ANGLES ± 3 DEG
DO NOT SCALE DRAWING			75Ω BNC R/A PCB MOUNT JACK, WHITE DWG NO. 3280-002 REV A
SCALE 3:1			CAD FILE ERP SHEET 1 OF 1