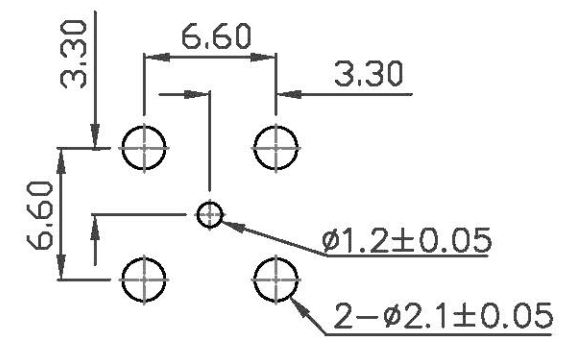
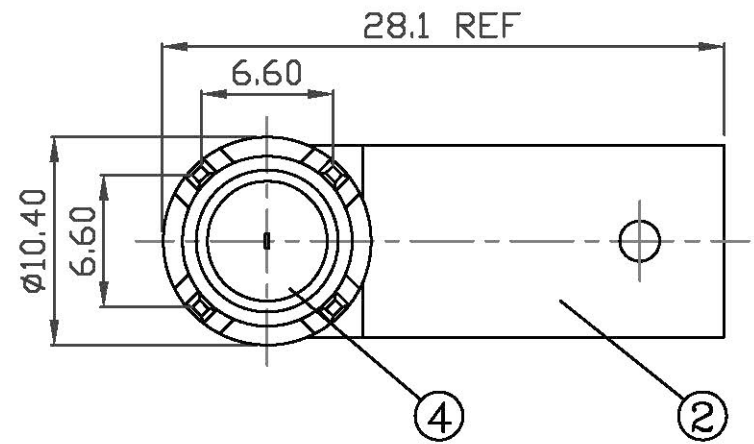
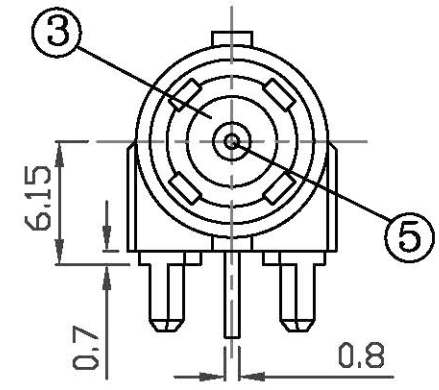
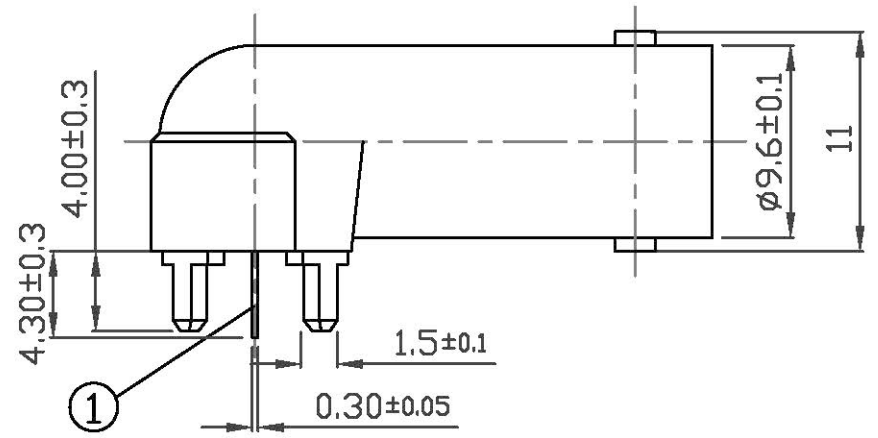


REV	ECO	DESCRIPTION	DRAWN	DATE



**MATERIAL & FINISH**

- ① CENTER CONTACT : PHOSPHOR BRONZE, TIN PLATING
- ② BODY : ZINC ALLOY, NICKEL PLATING
- ③ INSULATOR : TPX
- ④ INSULATOR : TEFLON
- ⑤ CENTER CONTACT : PHOSPHOR BRONZE, 3u" GOLD PLATING

**RECOMMENDED PC BOARD LAYOUT WITHOUT MOUNTING POSTS**

PART NUMBER <b>3280-BR50E</b>	DWG. Jean_Ke	DATE 17-03-10	易昕企業有限公司 LEAMAX ENTERPRISE CO., LTD.
	CKD. Huang	DATE 02-05-18	
MATERIAL <b>SEE NOTE</b>	APPD. James	DATE 13-05-18	<b>50Ω BNC R/A CONNECTORS</b>
FINISH <b>SEE NOTE</b>	UNLESS OTHERWISE SPECIFIED: DIMENSIONS ARE IN mm TOLERANCES ARE: X. ± 0.5 XX ± 0.3 XXX ± 0.2 ANGLES ± 3 DEG		
THIRD ANGLE PROJECTION	DWG NO. 3280-004		REV A
DO NOT SCALE DRAWING		SCALE 2:1	CAD FILE ERP SHEET 1 OF 1