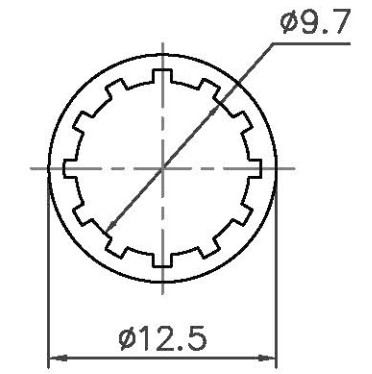
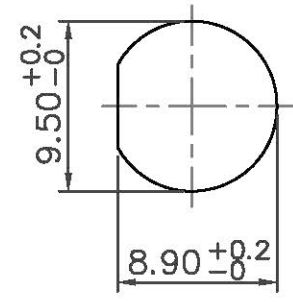
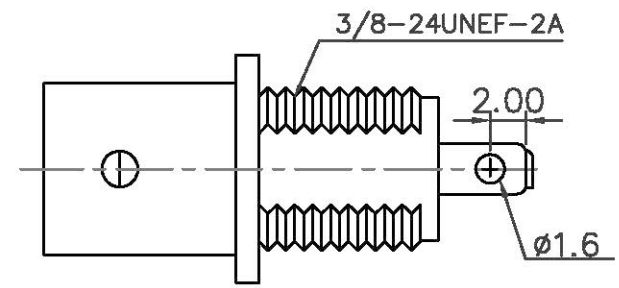
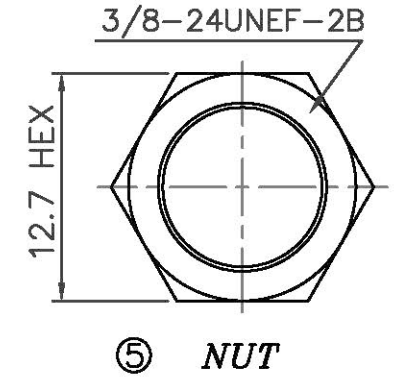
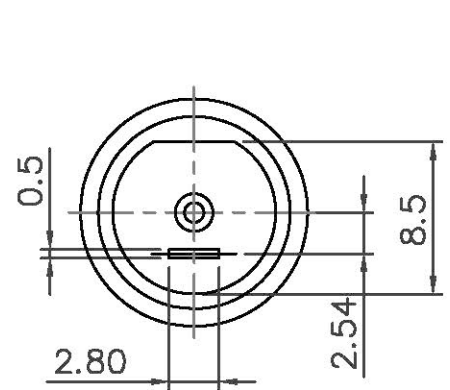
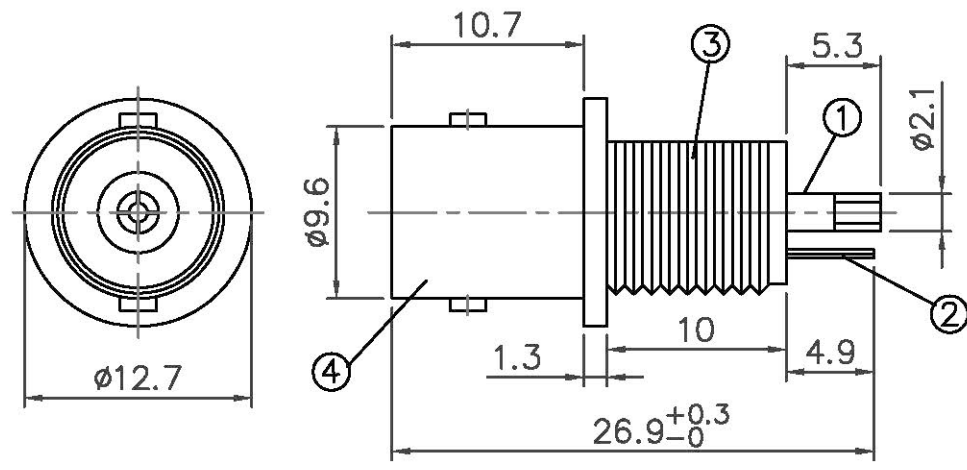


REV	ECO	DESCRIPTION	DRAWN	DATE


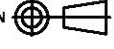


**RECOMMENDED MOUNTING HOLE**

**⑥ LOCK WASHER**

**MATERIAL & FINISH**

- ① CENTER CONTACT : PHOSPHOR BRONZE, GOLD PLATED
- ② GROUND RING : BRASS, TIN PLATED
- ③ INSULATOR : PBT (94 V-0)
- ④ BODY : ZINC ALLOY, NICKEL PLATED
- ⑤ NUT : BRASS, NICKEL PLATED
- ⑥ WASHER : STEEL, NICKEL PLATED

PART NUMBER <b>3285-500</b>	DWG. Jean_Ke	DATE 10-12-09	 <b>易昕企業有限公司</b> <b>LEAMAX ENTERPRISE CO., LTD.</b>
	CKD. Huang	DATE 02-05-18	
MATERIAL <b>SEE NOTE</b>	APPD. James	DATE 11-05-18	<b>50 Ω BNC JACK</b> <b>ISOLATED GROUND</b> <b>BULKHEAD WITH FITTING</b>
FINISH <b>SEE NOTE</b>	<small>UNLESS OTHERWISE SPECIFIED: DIMENSIONS ARE IN mm TOLERANCES ARE:</small> X. ± 0.5 XX ± 0.3 XXX ± 0.2 ANGLES ± 3 DEG		
THIRD ANGLE PROJECTION 	DO NOT SCALE DRAWING		DWG NO. 3285-001 REV A
SCALE 2:1		CAD FILE ERP	SHEET 1 OF 1