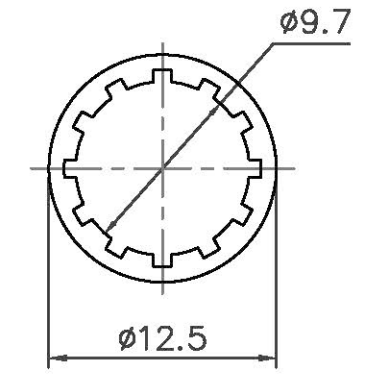
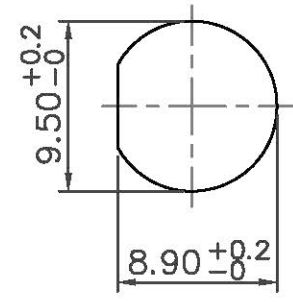
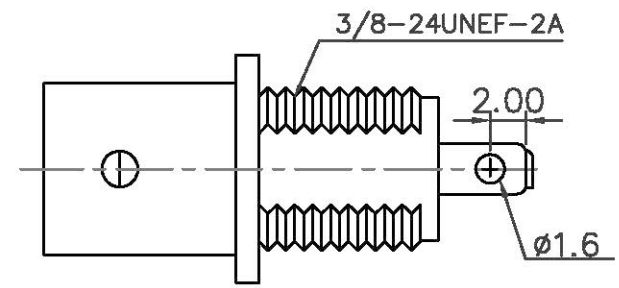
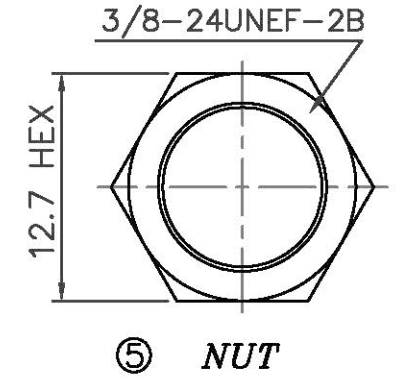
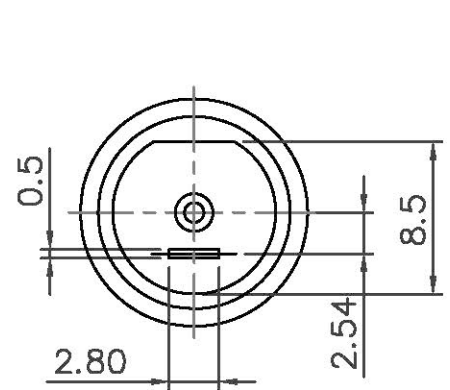
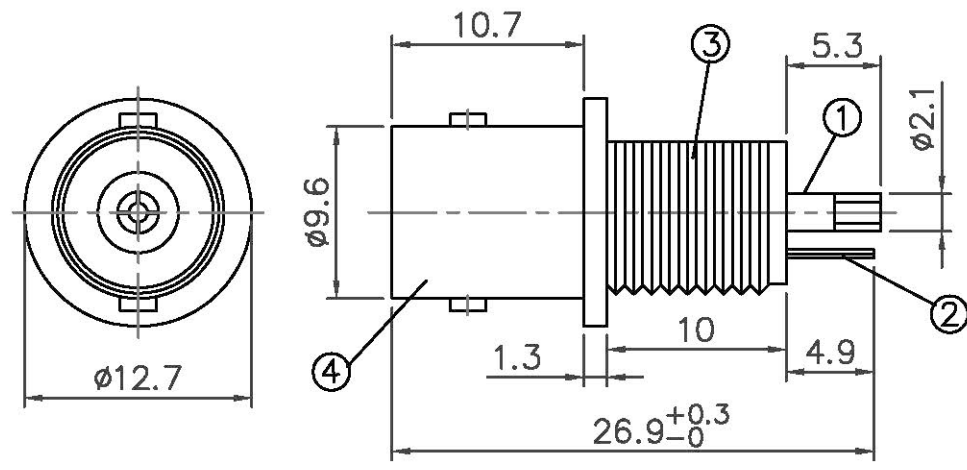


REV	ECO	DESCRIPTION	DRAWN	DATE





RECOMMENDED MOUNTING HOLE

LOCK WASHER

MATERIAL & FINISH

- ① CENTER CONTACT : PHOSPHOR BRONZE, GOLD PLATED
- ② GROUND RING : BRASS, TIN PLATED
- ③ INSULATOR : PBT (94 V-0)
- ④ BODY : ZINC ALLOY, NICKEL PLATED
- ⑤ NUT : BRASS, NICKEL PLATED
- ⑥ WASHER : STEEL, NICKEL PLATED

PART NUMBER 3285-750	DWG. Jean_Ke	DATE 10-12-09	 易昕企業有限公司 LEAMAX ENTERPRISE CO., LTD.
	CKD. Huang	DATE 02-05-18	
MATERIAL SEE NOTE	APPD. James	DATE 11-05-18	75Ω BNC JACK ISOLATED GROUND BULKHEAD WITH FITTING
FINSH SEE NOTE	<small>UNLESS OTHERWISE SPECIFIED: DIMENSIONS ARE IN mm TOLERANCES ARE:</small> X. ± 0.5 XX ± 0.3 XXX ± 0.2 ANGLES ± 3 DEG		
THIRD ANGLE PROJECTION 	DWG NO. 3285-002		REV A
DO NOT SCALE DRAWING		SCALE 2:1	CAD FILE ERP SHEET 1 OF 1