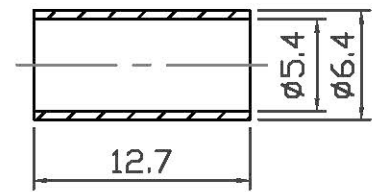
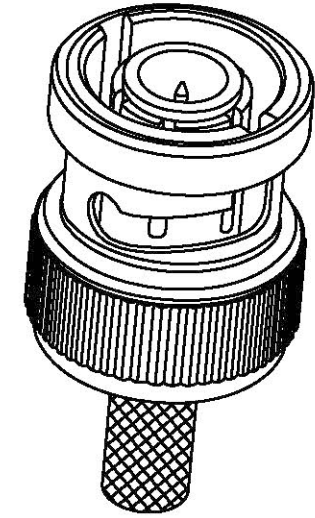
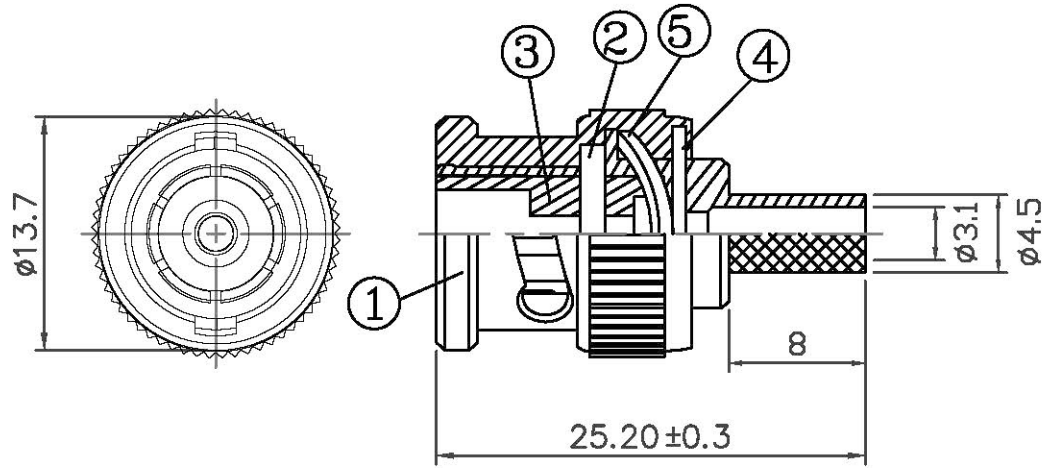
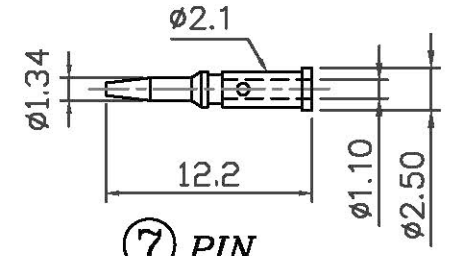


REV	ECO	DESCRIPTION	DRAWN	DATE
A	BC09070007	SEE ECO	Jean_Ke	11-12-10



⑥ FERRULE




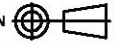
⑦ PIN

SPECIFICATION

IMPEDANCE : 75Ω
 VOLTAGE RATING : 500V RMS
 FREQUENCY RANGE : 0~4 GHz
 INTERFACE PER MIL-C-39012C
 FOR RG-58 CABLE

MATERIAL & FINISH

- ① BODY : ZINC ALLOY, NICKEL PLATING
- ② GASKET : RUBBER, RED
- ③ INSULATOR : POM
- ④ WASHER : IRON, NICKEL PLATING
- ⑤ SPRING : SK-5, BRONZE PLATING
- ⑥ FERRULE : BRASS, NICKEL PLATING
- ⑦ PIN : BRASS, GOLD PLATING

PART NUMBER 3290-7BP-01PT	DWG. Jean_Ke	DATE 04-10-11	 易昕企業有限公司 LEAMAX ENTERPRISE CO., LTD.
	CKD. Huang	DATE 02-05-18	
MATERIAL SEE NOTE	APPD. James	DATE 11-05-18	75Ω BNC CRIMP PLUG WITH FITTING
FINISH SEE NOTE	UNLESS OTHERWISE SPECIFIED: DIMENSIONS ARE IN mm TOLERANCES ARE: X. ± 0.5 XX ± 0.3 XXX ± 0.2 ANGLES ± 3 DEG		
THIRD ANGLE PROJECTION 	DO NOT SCALE DRAWING		DWG NO. 3290-002 REV A
SCALE 2:1		CAD FILE ERP	SHEET 1 OF 1