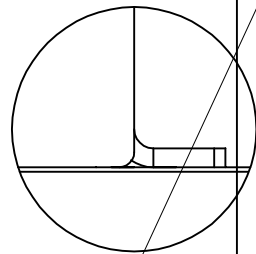
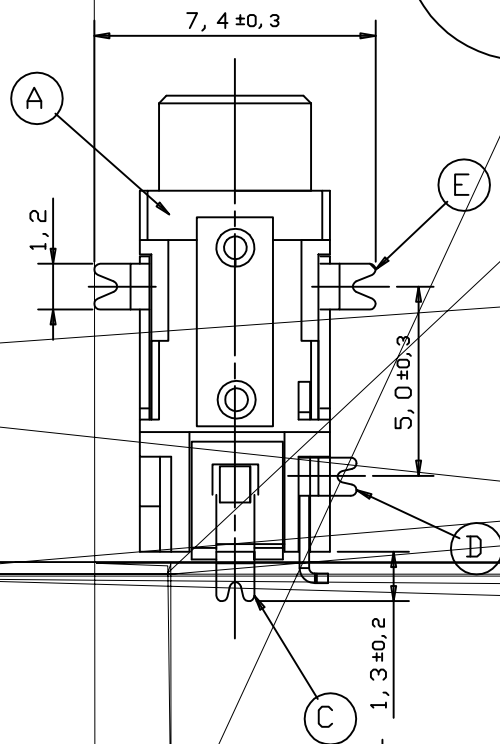
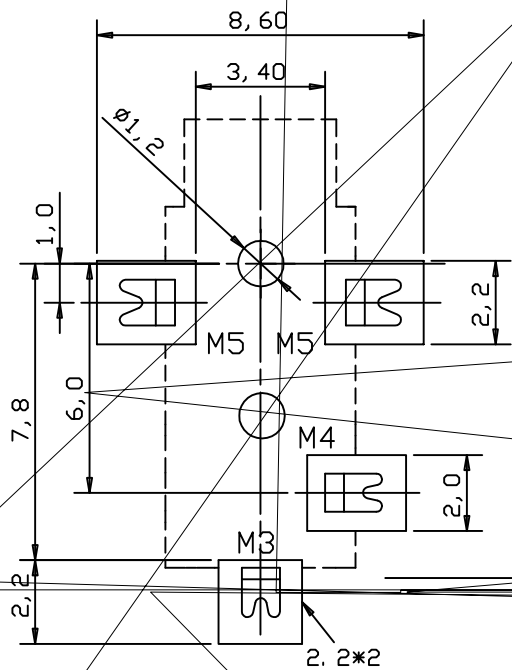
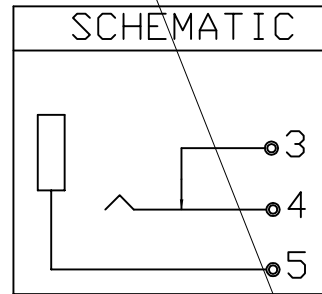


SOLDERING PADS  
(TOP VIEW)



A: WAS 0.2mm



E	3390-M5	GROUND CONTACT	PBS	SILVER	1	20T
D	3390-M4	TIP CONTACT	Cu-Ti	SILVER	1	20T
C	3390-M3	TIP SHUNT	PBS	SILVER	1	20T
B	3390-M1	RING CONTACT	PBS	SILVER	1	20T
A	3390-P1	HOUSING	LCP		1	UL94V-0
<b>ITEM</b>	<b>PART NO.</b>	<b>NAME</b>	<b>MATERIAL</b>	<b>FINISH</b>	<b>Q'TY</b>	<b>NOTE</b>

易昕企業有限公司  
LEAMAX ENTERPRISE CO.

SCALE  
DO NOT SCALE DWG